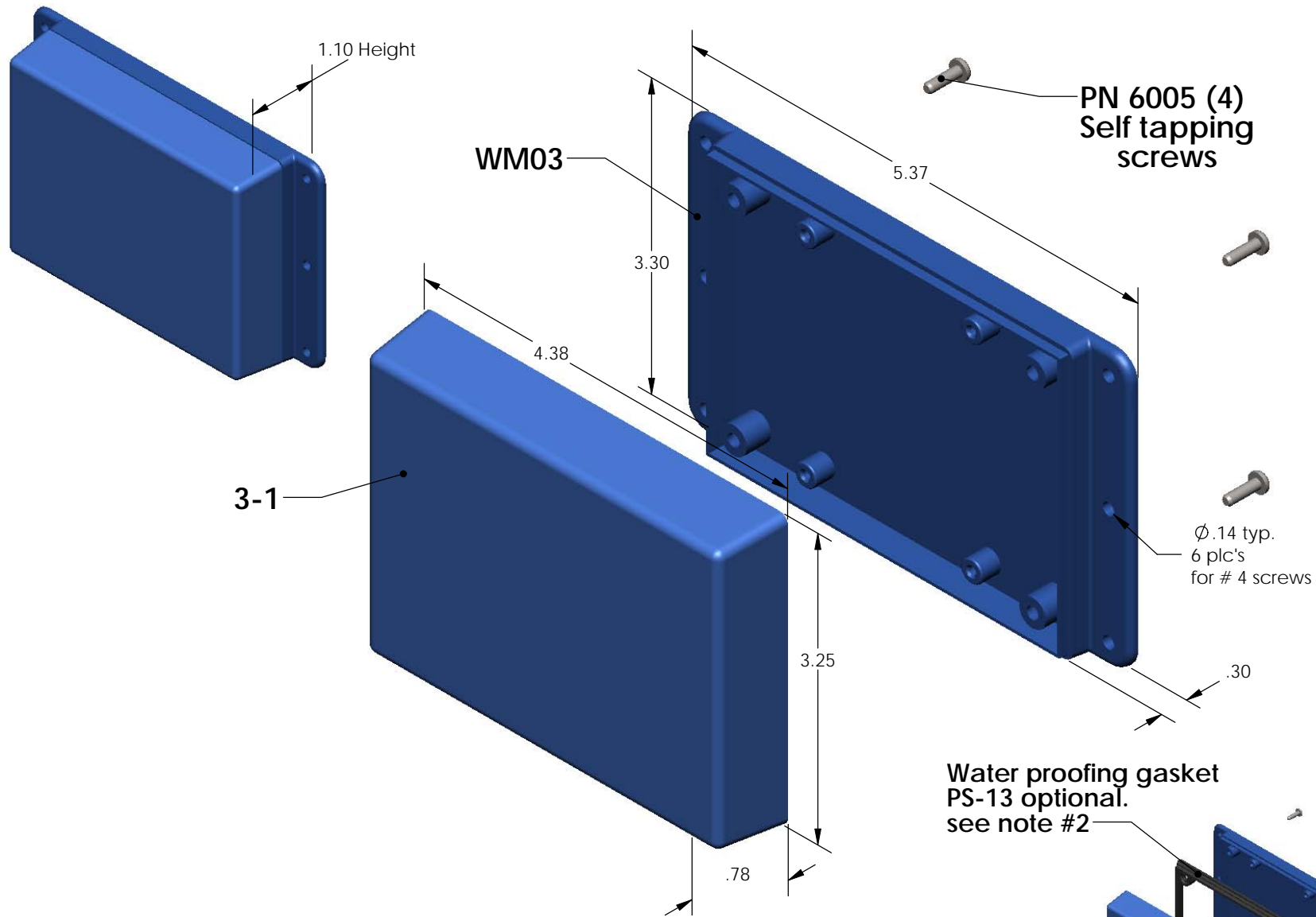


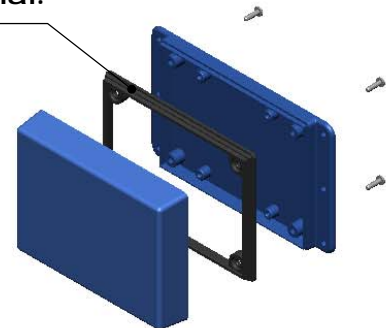
# SERPAC WM031 (exploded isometric)

Electronic Enclosures



PART NO.	DESCRIPTION (Included)	ACCESSORIES (Optional)	
3-1	TOP	PART NO.	DESCRIPTION
WM03	BOTTOM	50	Non-skid Feet
6005	#4 self tapping screw (4)	PS-13	Perimeter Seal
		330	Prototype grid board
		430	Prototype clad board

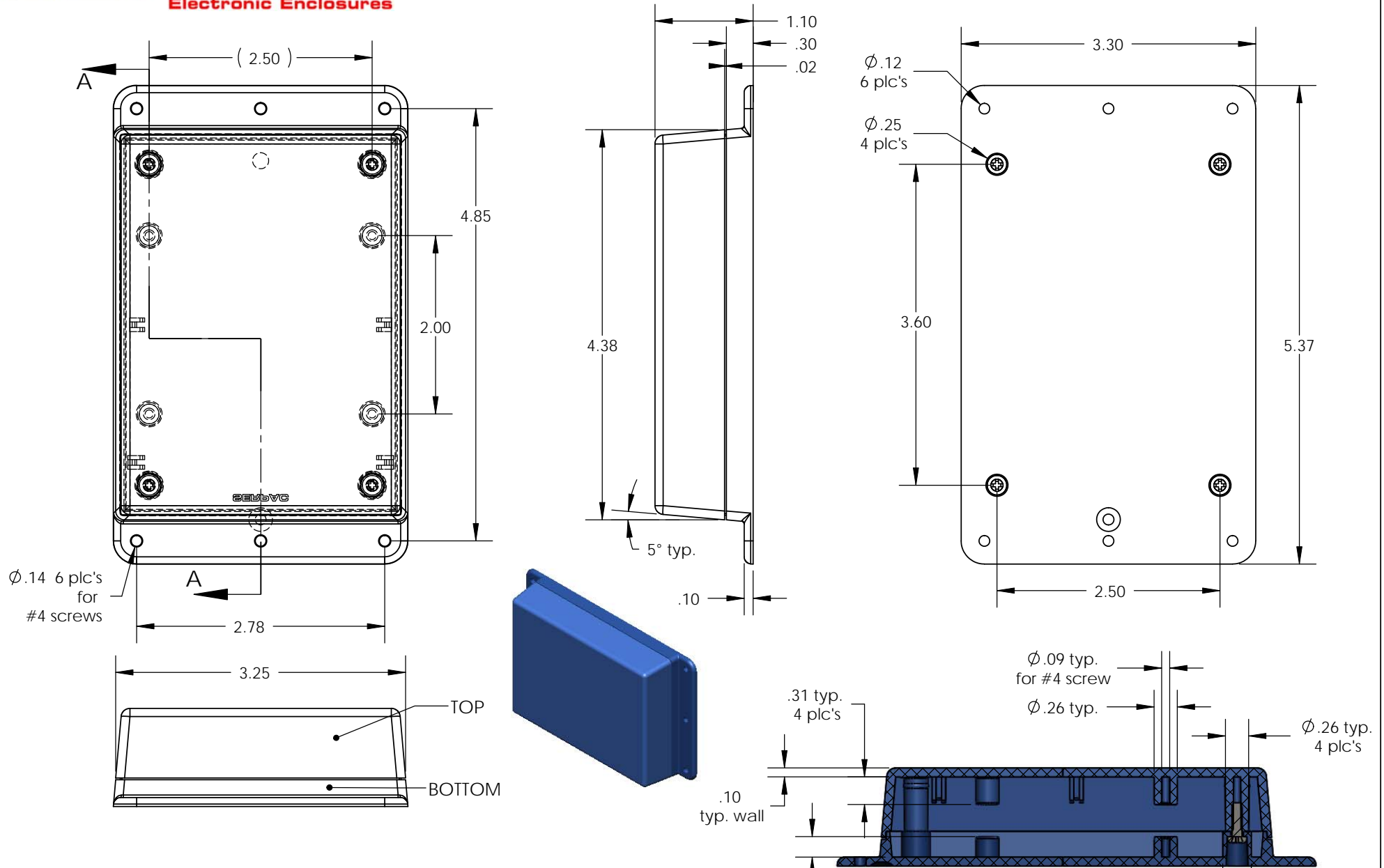
- Notes:
- 1) Enclosure meets or exceeds IP40 and NEMA 1
  - 2) When used with PS-13 the enclosure meets or exceeds IP 67 and NEMA 4X, 12 and 13 MIL-STD-810G 506.5
  - 3) Circuit Board drawings can be download at: <http://www.serpac.com/Accessories/CircuitBoard/drawings/330-430-cbg.pdf>
  - 4) All components are RoHS Compliant.



Water proofing gasket  
PS-13 optional.  
see note #2

# SERPAC WM031 (user print)

Electronic Enclosures



PART NO.	DESCRIPTION (Included)	ACCESSORIES (Optional)	
3-1	TOP	PART NO.	DESCRIPTION
WM03	BOTTOM	50	Non-skid Feet
6005	#4 self tapping screw (4)	PS-13	Perimeter Seal
		330	Prototype grid board
		430	Prototype clad board

- Notes:
- 1) Enclosure meets or exceeds IP40 and NEMA 1
  - 2) When used with PS-13 the enclosure meets or exceeds IP 67 and NEMA 4X, 12 and 13 MIL-STD-810G 506.5
  - 3) Circuit Board drawings can be download at:  
<http://www.serpac.com/Accessories/CircuitBoard/drawings/330-430-cbg.pdf>
  - 4) All components are RoHS Compliant.

SECTION A-A  
SCALE 1 : 1.5