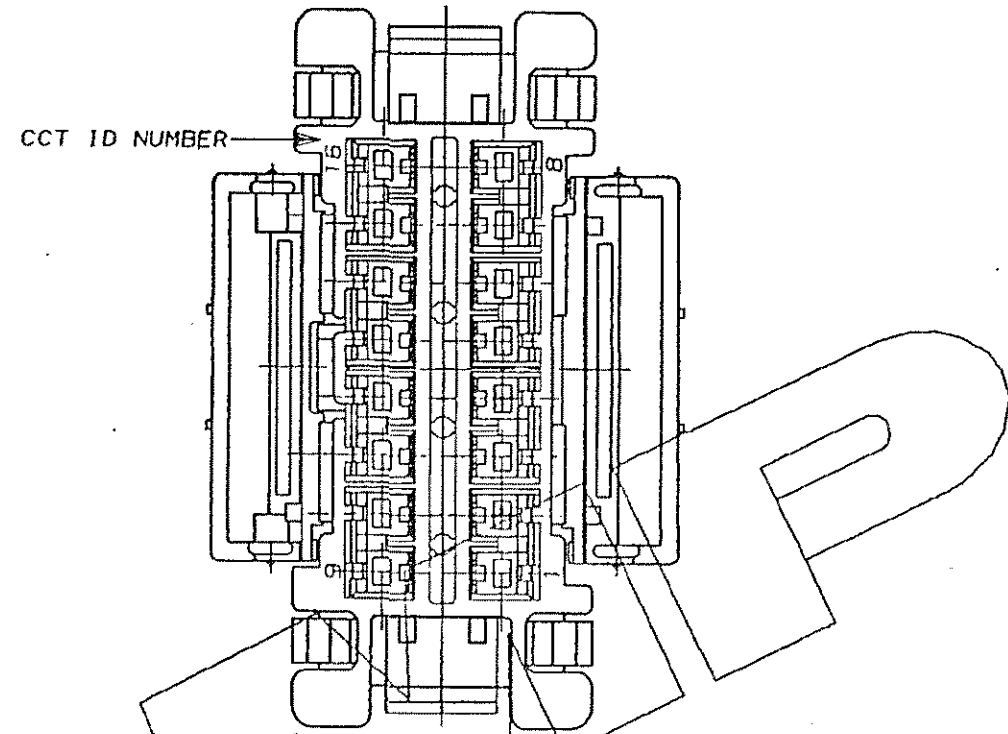
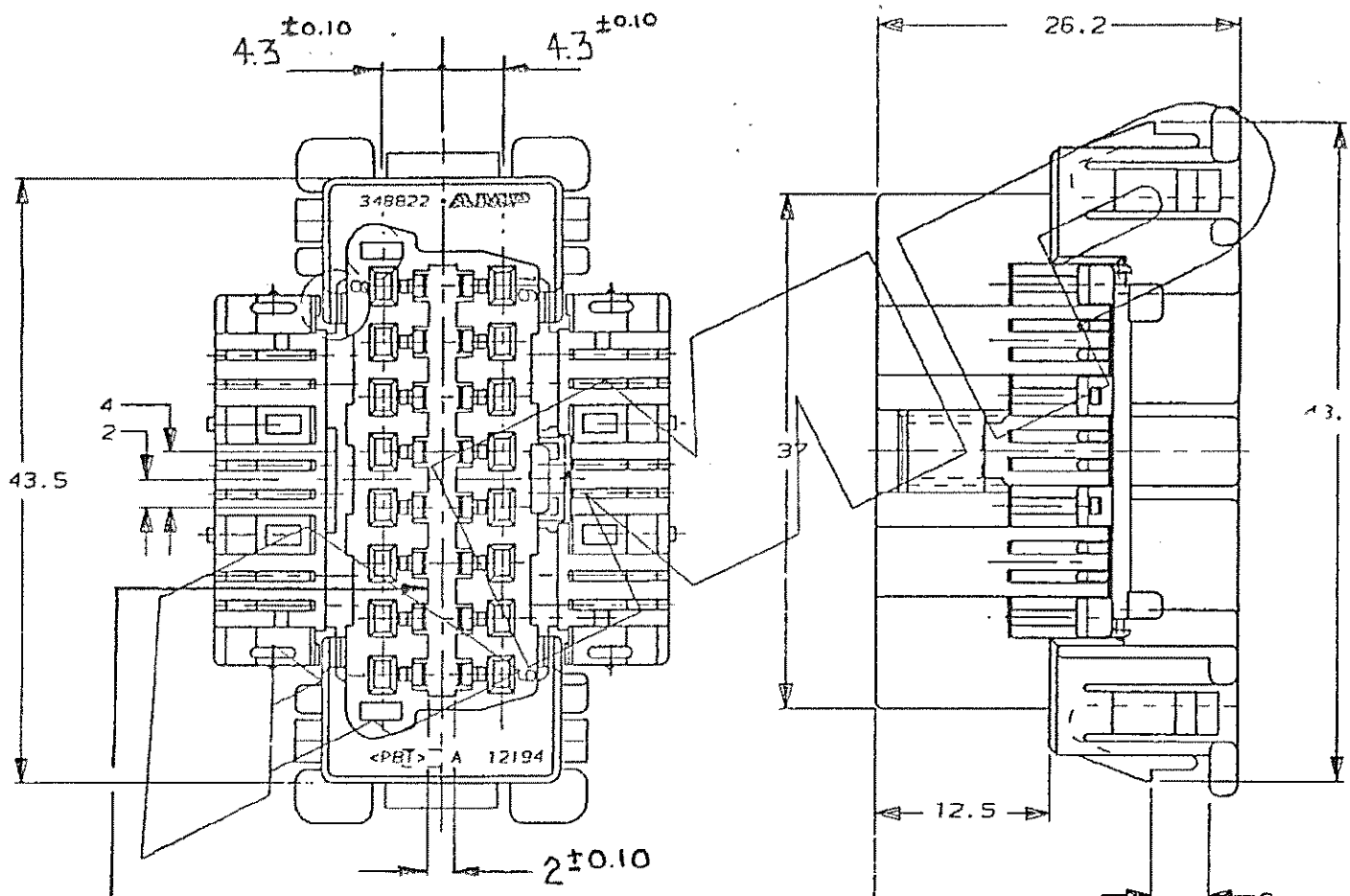
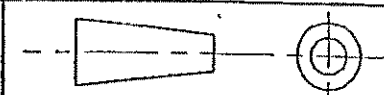
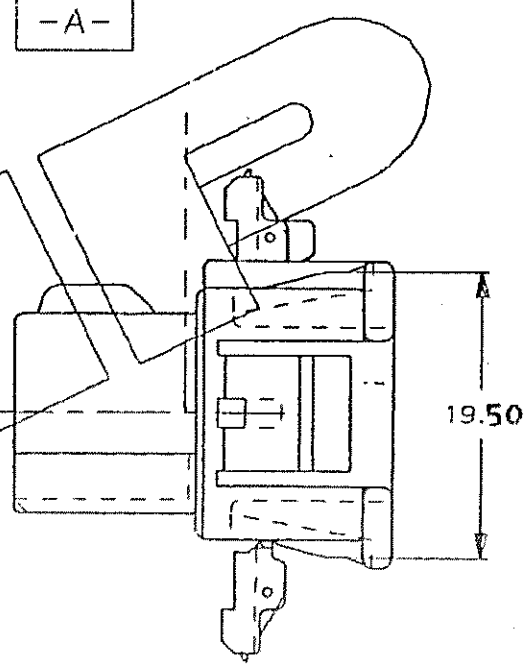


C.A.D. FILE CODE
S. C348822.D.SH1

DO NOT SCALE DIMENSIONS IN MM.



1. APPLICABLE RECPT P/N 776001



3.60	3.0	GREY	PBT	348822-3
1.80	1.2	GREY	PBT	348822-6
3.60	3.0	BLACK	PBT	348822-2
s	PANEL THICKNESS	FINISH	MATERIAL	PART NUMBER

CUSTOMER DWG FOR REFERENCE ONLY

RELEASED FOR PUBLICATION
03 JAN 1995

TOLERANCES UNLESS OTHERWISE STATED :
DEC ± 0.5
ANGLES ± 1°

DR. MAGAN MISTRY 22/12/94
CH. P. GAULTON APP. H. MISTRY

STE TE Connectivity

NAME
DIAGNOSTIC CONNECTOR
16 POSN PLUG HOUSING

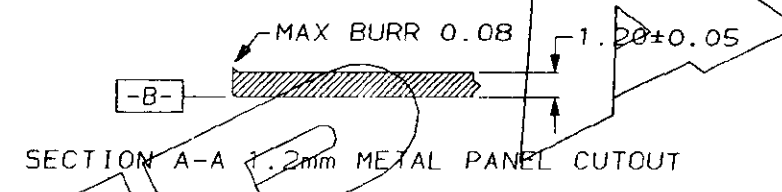
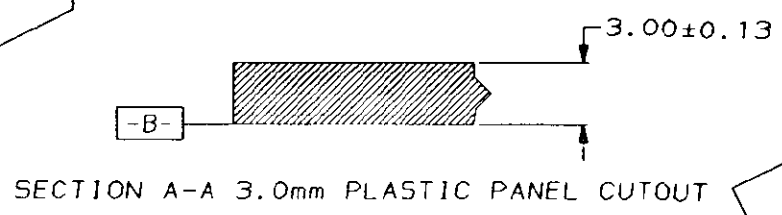
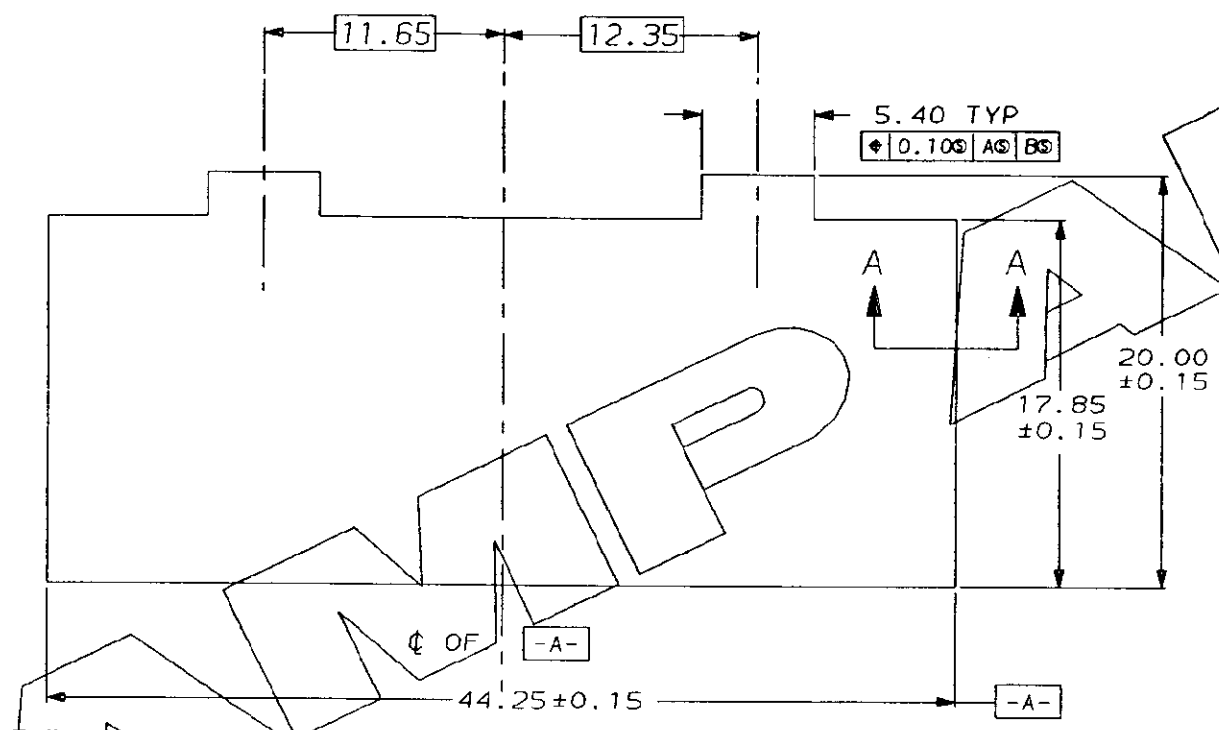
E1	RK/HMR	REVISED PER ECO-11-005150	28MAR11	SCALE	LOC	SIZE	DWG. No.	REV	SHEET
REV	APPROVED	ECO	DATE	2/1	E	A3	C348822	E1	1/2

C.A.D. FILE CODE
S. C348822.D.SH2

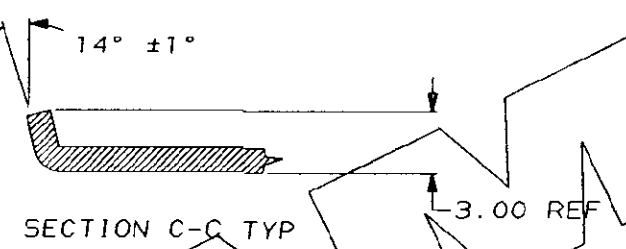
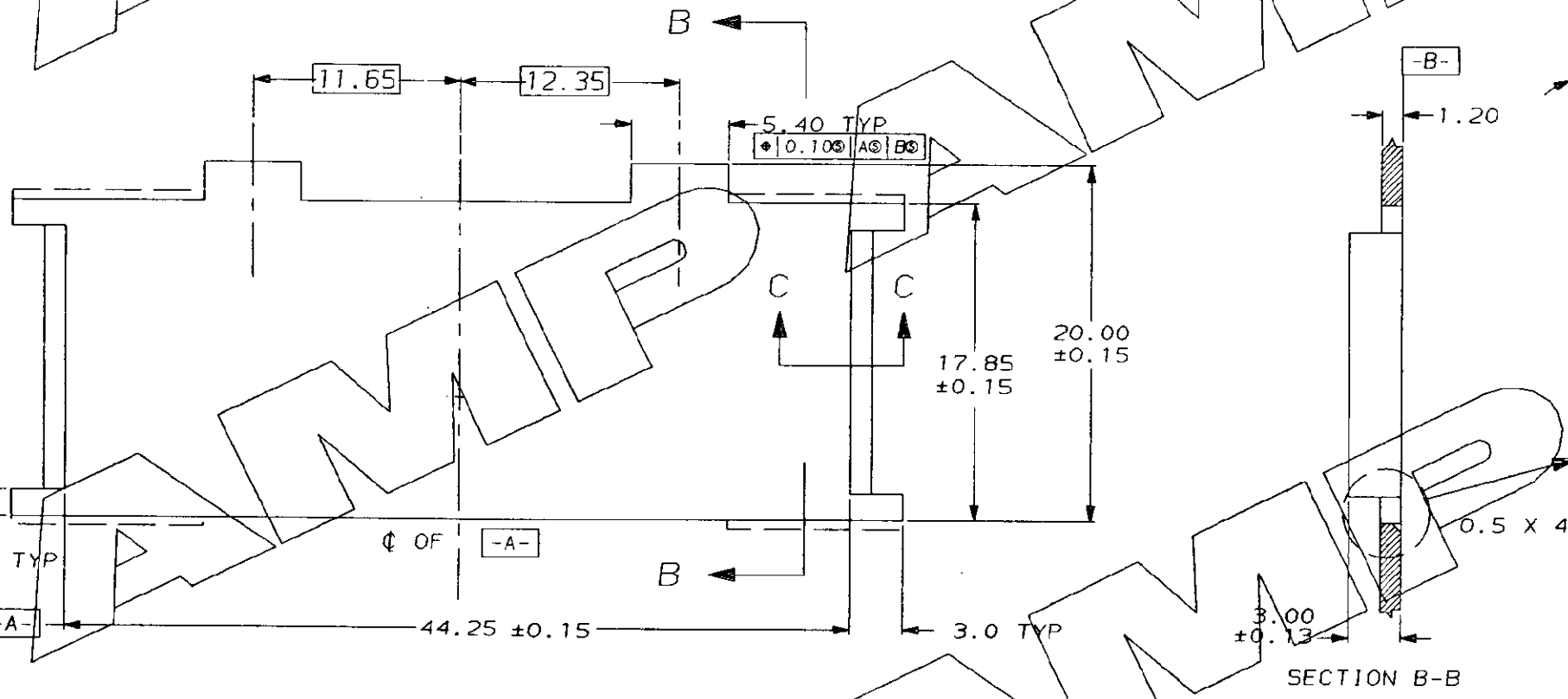
8 7 6 5 4 3 2 1

DO NOT SCALE

DIMENSIONS IN MM.



RECOMMENDED 1.2mm METAL & 3.0mm PLASTIC PANEL CUTOUT (MATING VIEW)



SECTION B-B

RECOMMENDED 3mm FORMED PANEL CUTOUT (MATING VIEW) FOR -2

PANEL THICKNESS		FINISH		MATERIAL		PART NUMBER	
3.0 ± 0.13	3.0 ± 0.13	GREY	BLACK	PBT	PBT	348822-3	348822-2
1.2 ± 0.05		GREY		PBT		348822-6	

CUSTOMER DWG FOR REFERENCE ONLY			RELEASED FOR PUBLICATION 03 FEB 1995		
SEE SHEET 1			TOLERANCES UNLESS OTHERWISE STATED DEC ± 0.5 ANGLES ± 1°		DR. H. MISTRY CH. P. GAULTON APP. H. MISTRY
			NAME DIAGNOSTIC CONNECTOR 16 POSN PLUG HOUSING		1/2/95
SCALE	LOC	SIZE	DWG No.	REV	SHEET
4/1	E	A2	C348822	E1	2/2