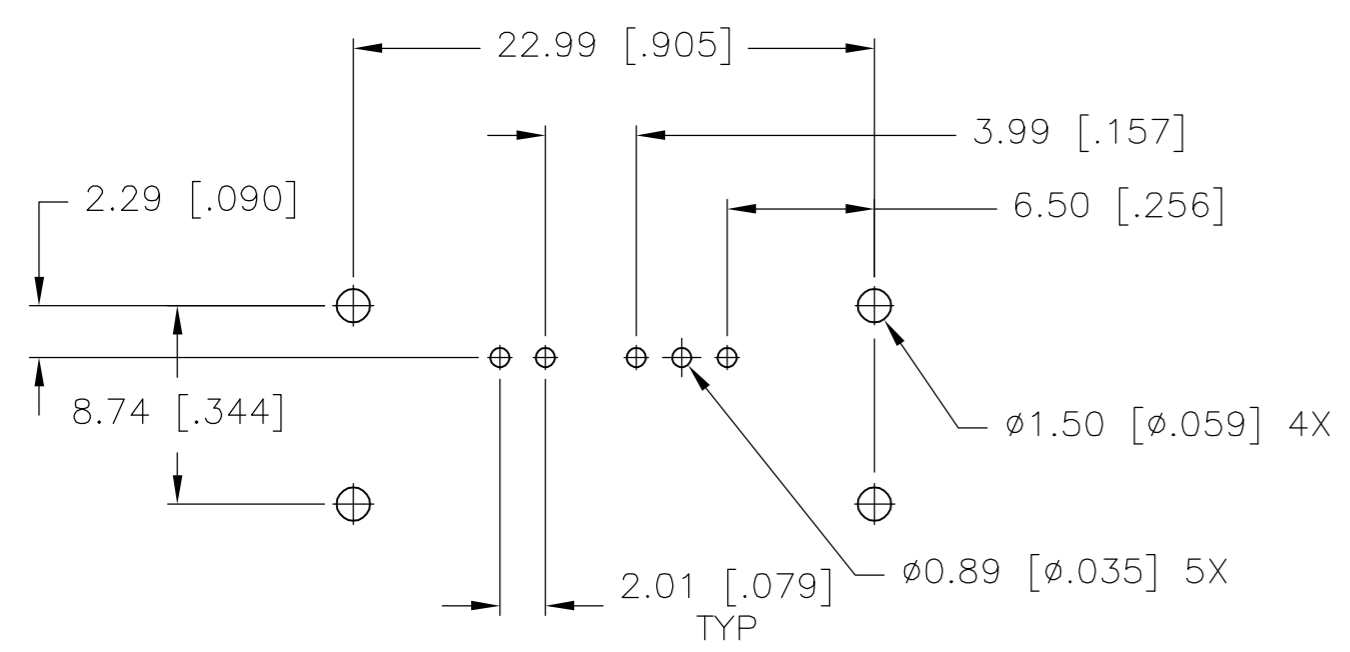
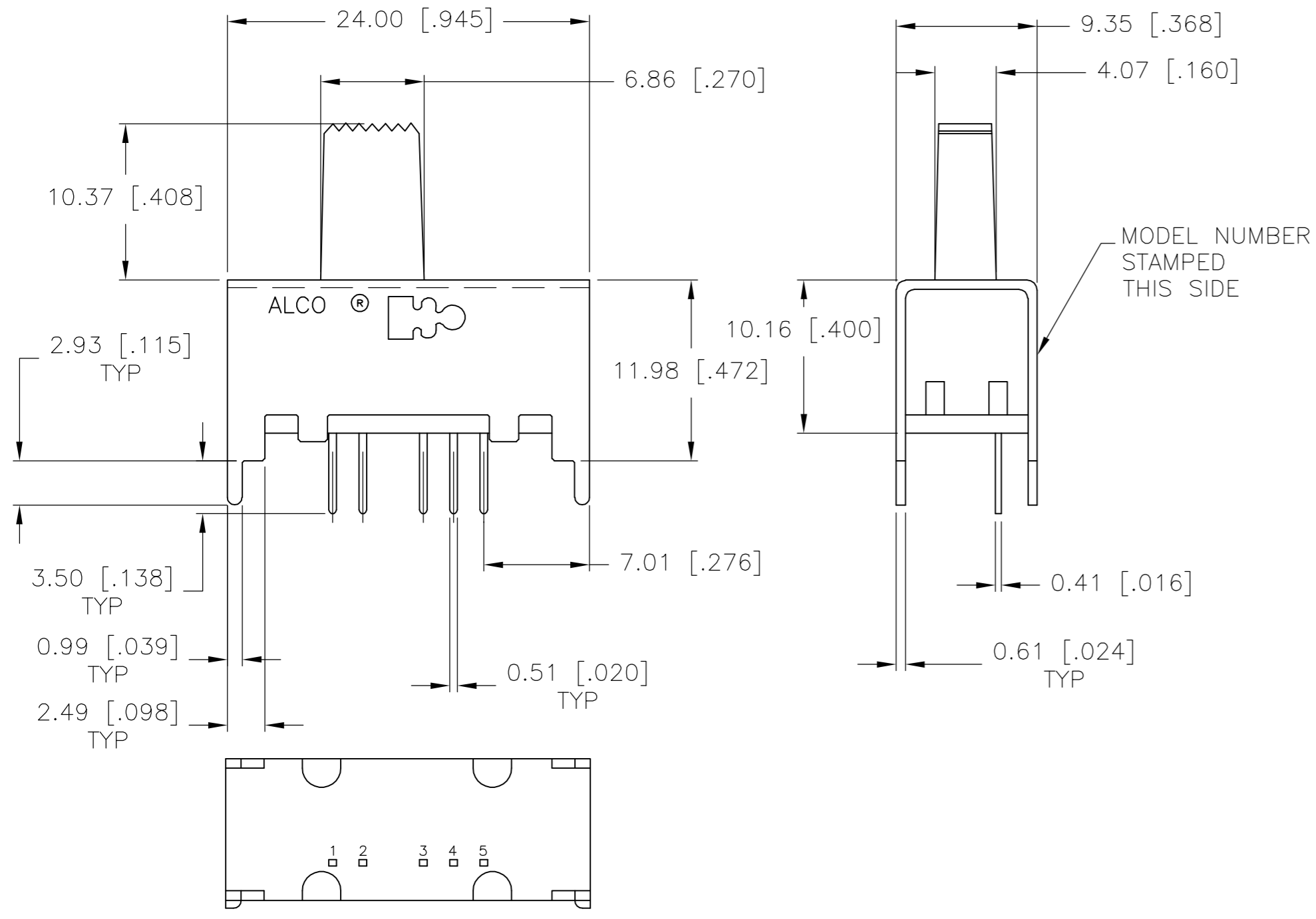
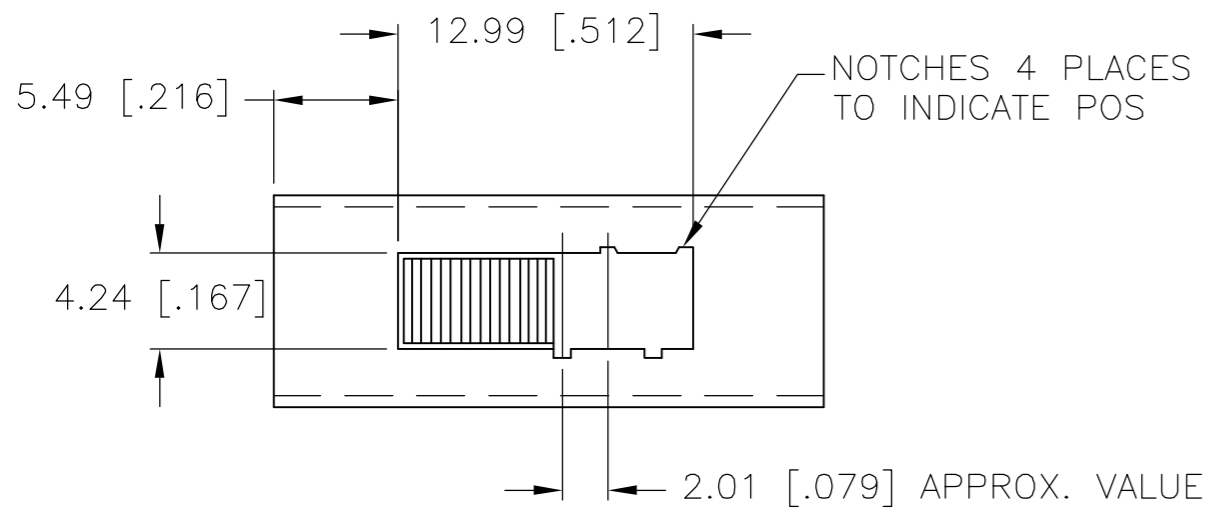


THIS DRAWING IS UNPUBLISHED. RELEASED FOR PUBLICATION
 © COPYRIGHT BY TYCO ELECTRONICS CORPORATION. ALL RIGHTS RESERVED.

LOC		DIST		REVISIONS			
AD	00	P	LTR	DESCRIPTION	DATE	DWN	APVD
		A		ECO 05 003709	23MAR06	BSV	MS



PC BOARD LAYOUT, TOP VIEW
 RECOMMENDED TOLERANCES $\pm .002$

SPECIFICATIONS:
 MAKE-BEFORE-BREAK

MATERIALS:
 ACTUATOR - NYLON 66 UL94V-0, BLACK
 FRAME - TIN PLATED STEEL
 TERMINAL BOARD - PHENOLIC LAMINATE UL94HB, NATURAL
 TERMINAL (SILVER) - COPPER ALLOY- SILVER OVER NICKEL PLATE
 TERMINAL (GOLD) - COPPER ALLOY- TIN OVER NICKEL PLATE
 FIXED CONTACT (SILVER) - COPPER ALLOY- SILVER OVER NICKEL PLATE
 FIXED CONTACT (GOLD) - COPPER ALLOY-GOLD OVER NICKEL PLATE
 MOVING CONTACT (SILVER) - COPPER ALLOY- SILVER OVER NICKEL PLATE
 MOVING CONTACT (GOLD) - COPPER ALLOY-GOLD OVER NICKEL PLATE
 DETENT BALL - STAINLESS STEEL
 COIL SPRING - TEMPERED STEEL WIRE
 SEAL - EPOXY

ELECTRICAL:
 CONTACT RATING - .4VA@20VDC OR PEAK AC (GOLD)
 300mA@125V AC (SILVER)
 INITIAL CONTACT RESISTANCE - 30milliohm max.
 FINAL CONTACT RESISTANCE - 100milliohm max> (AFTER TEST)
 INSULATION RESISTANCE - 1,000Megohms min."
 DIELECTRIC STRENGTH - 500V RMS@SEA LEVEL
 LIFE EXPECTANCY - 15,000 CYCLES MIN."

MECHANICAL:
 ACTUATION FORCE - 600 \pm 300 GRAMS
 TRAVEL - 2.00 \pm 0.51[.079 \pm .020]

ENVIRONMENTAL:
 OPERATING TEMPERATURE - -20 TO +85 DEGREES C
 STORAGE TEMPERATURE - -40 TO +100 DEGREES C
 RESISTANCE TO SOLDER HEAT PER 109-202, CONDITION B
 SOLDERABILITY PER EIA- 364-52, CLASS 2, CATEGORY 1, 95% MIN COVERAGE

1,3	2,3	3,4	3,5	SP4T	GOLD	MSSA1450G04	1825196-2
1,3	2,3	3,4	3,5	SP4T	SILVER	MSSA145004	1825196-1
				TYPE	CONTACT PLATING	ALCO P/N	TYCO P/N
LEFT	LEFT CENTER	RIGHT CENTER	RIGHT	ACTUATOR POSITION			

THIS DRAWING IS A CONTROLLED DOCUMENT.		DWN	C.THEODORE	17SEP96	tyco Tyco Electronics Corporation Harrisburg, PA 17105-3608		
DIMENSIONS: mm [INCHES]		CHK	-	-	OUTLINE DRAWING SLIDE SWITCH,(SP 4 POS.) MSSA-1450 SERIES		
TOLERANCES UNLESS OTHERWISE SPECIFIED:		APVD	-	-	RESTRICTED TO		
0 PLC	\pm -	PRODUCT SPEC	-	-	SIZE	CAGE CODE	DRAWING NO
1 PLC	\pm -	APPLICATION SPEC	-	-	A2	00779	C=1825196
2 PLC	\pm 0.25[.010]	WEIGHT	-	-	SCALE	SHEET	REV
3 PLC	\pm -	CUSTOMER DRAWING	-	-	3:1	1 of 1	A
4 PLC	\pm -						
ANGLES	\pm 1'						
FINISH	SEE SPECIFICATIONS						

1825196