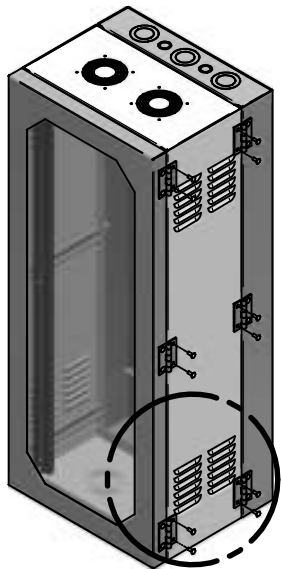


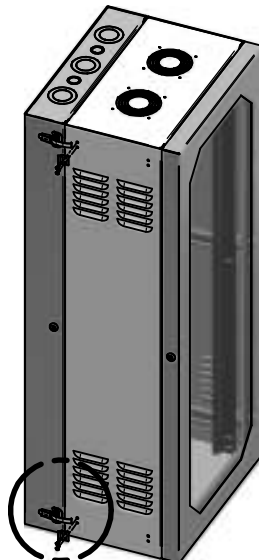
SWC - SERIES

ASSEMBLY INSTRUCTIONS FOR RH TO LH DOOR CONVERSION

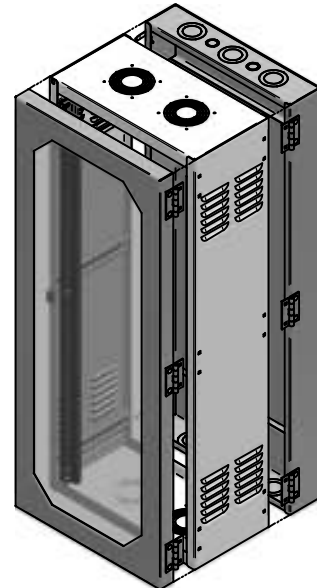
BUL10280
REV. A
PAGE 1 OF 1



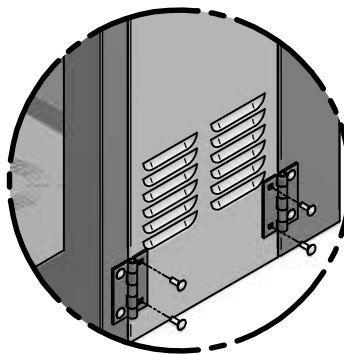
A



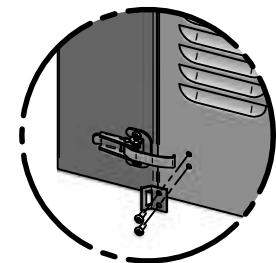
B



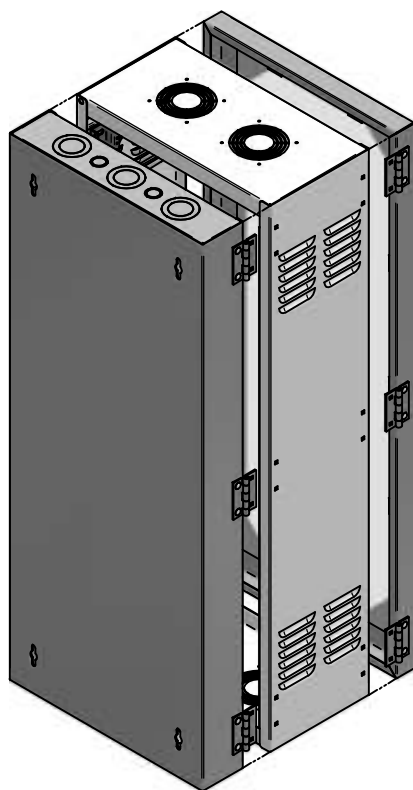
VIEW C



DETAIL A



DETAIL B



VIEW D

ASSEMBLY INSTRUCTIONS:

- A) Remove catch hardware Body side only. (Detail B)
- B) Remove rear door hinge hardware on the Body side only (Detail A) and remove door (View C).
- C) Remove front door hinge hardware on the Body side only (Detail A) and remove door (View C).
- D) Flip front and rear door. (View D)
- F) Reassemble doors and catches as shown to give you LH hinge. (Detail A and B)

Please note locks will work upside down now

TOOL BOX



Phillips
Screw Driver



Socket
Set



**HAMMOND
MANUFACTURING™**
ELECTRONICS GROUP

visit our website @ www.hammondmfg.com