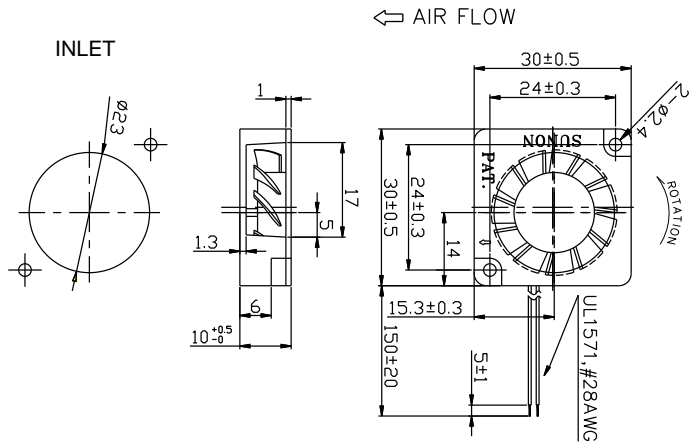


30x30x10 mm

Bearing Type :Ball bearing
 Air Flow:0.55-1.3 CFM



Traditional Blower

Model	P/N	Bearing ● VAPO ○ BALL ◎ 2BALL	Rating Voltage (VDC)	Power Current (AMP)	Power Consumption (WATTS)	Speed (RPM)	Air Flow (CFM)	Static Pressure (Inch-HzO)	Noise (dBA)	Weight (g)
B0503PFB1-8		○	5	0.19	0.95	9000	1.2	0.32	31	9
B0503PFB2-8		○	5	0.13	0.65	7500	1.0	0.25	29	9
B0503PFB3-8		○	5	0.06	0.35	5500	0.55	0.22	26	9
B0503AFB1-8		○	5	0.19	0.95	9000	1.2	0.32	31	10.5
B0503AFB2-8		○	5	0.13	0.65	7500	1.0	0.25	29	10.5
B0503AFB3-8		○	5	0.07	0.35	5500	0.55	0.22	26	10.5

MS Blower

B0503PFB I-8	MS	○	5	0.19	0.95	10000	1.3	0.35	36	9
B0503PFB2-8	MS	○	5	0.13	0.65	8000	1.1	0.26	30	9
B0503PFB3-8	MS	○	5	0.07	0.35	5500	0.55	0.22	17	9
B0503AFB I-8	MS	○	5	0.19	0.95	10000	1.3	0.35	36	10.5
B0503AFB2-8	MS	○	5	0.13	0.65	8000	1.1	0.26	30	10.5
B0503AFB3-8	MS	○	5	0.07	0.35	5500	0.55	0.22	17	10.5

Specifications subject to change without notice

