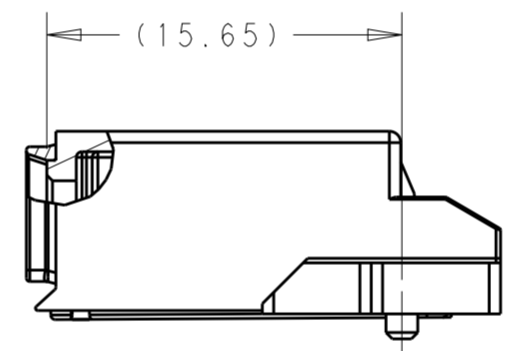
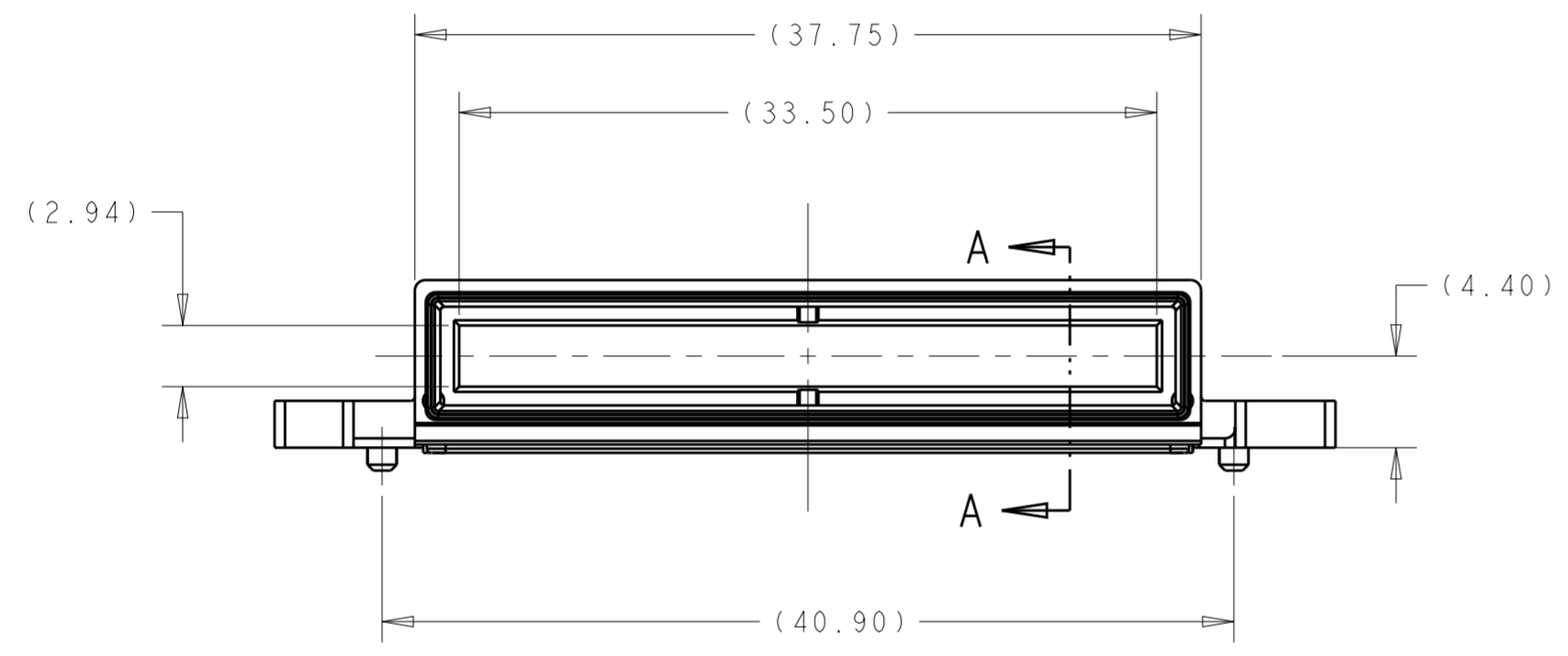
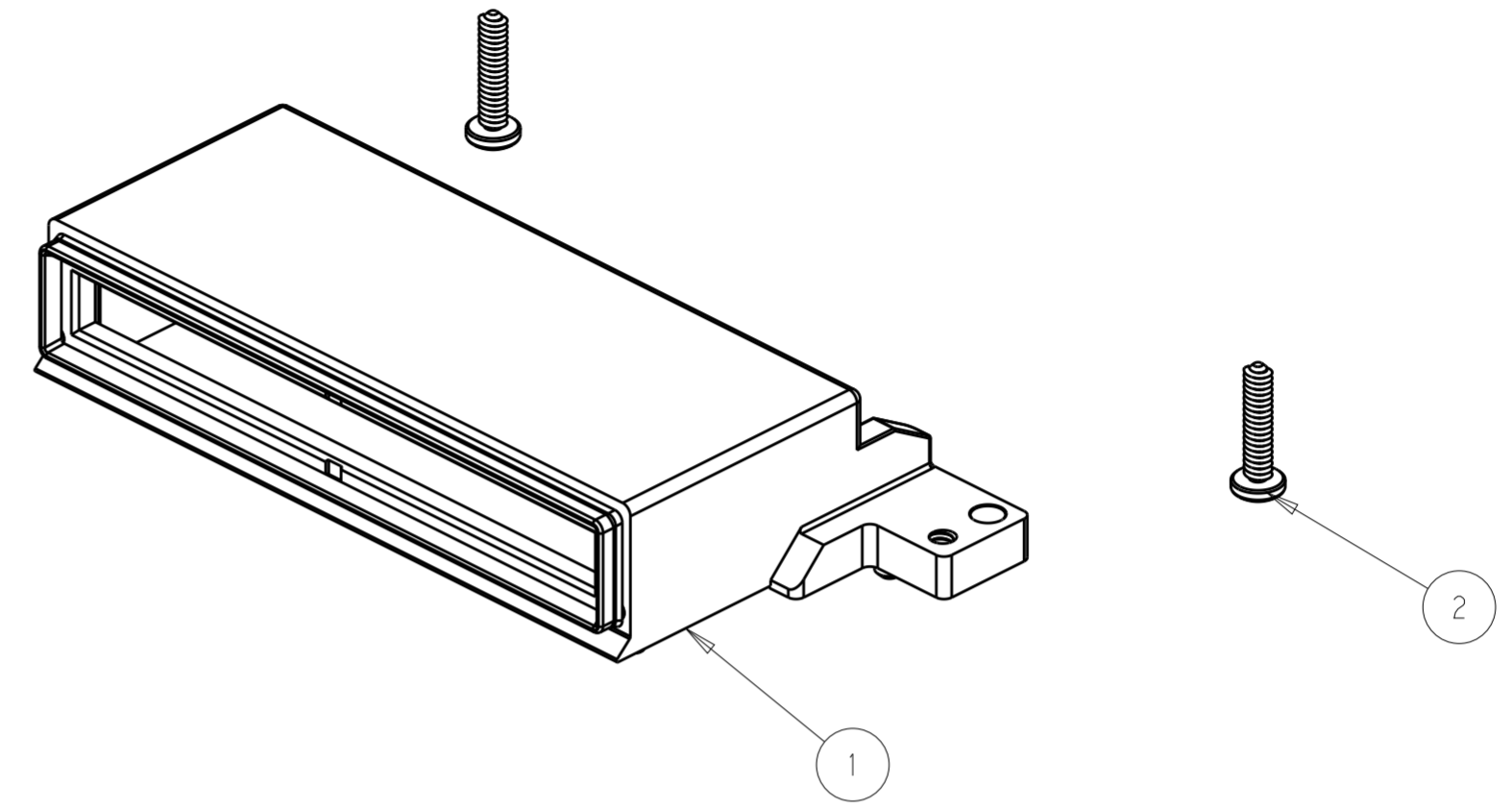
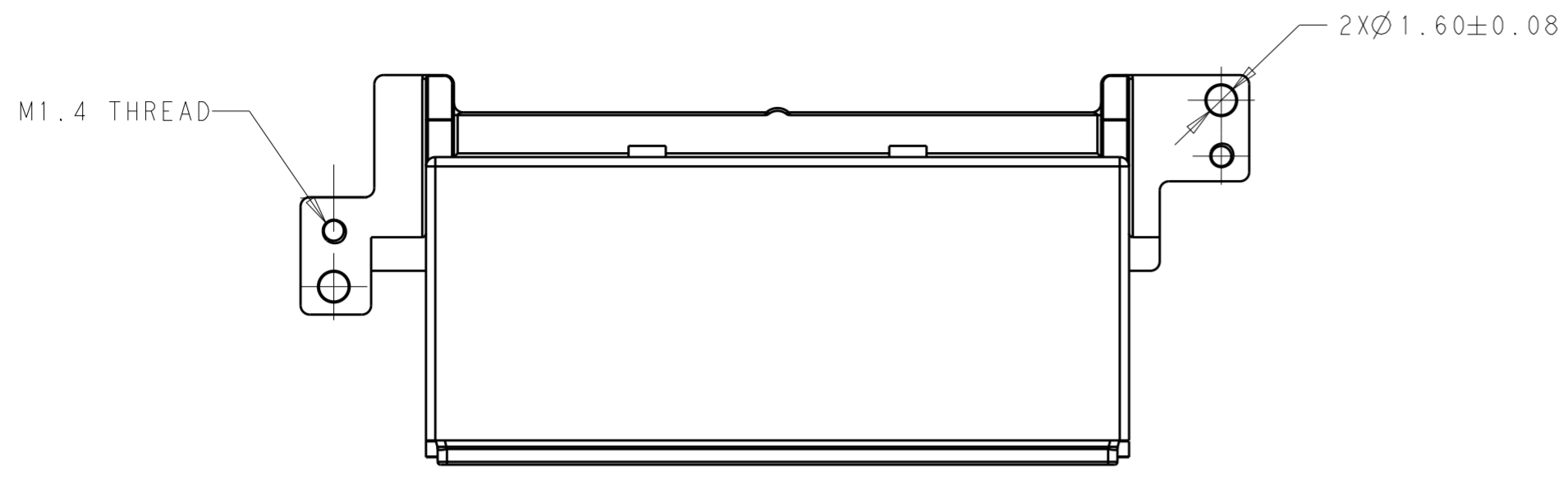


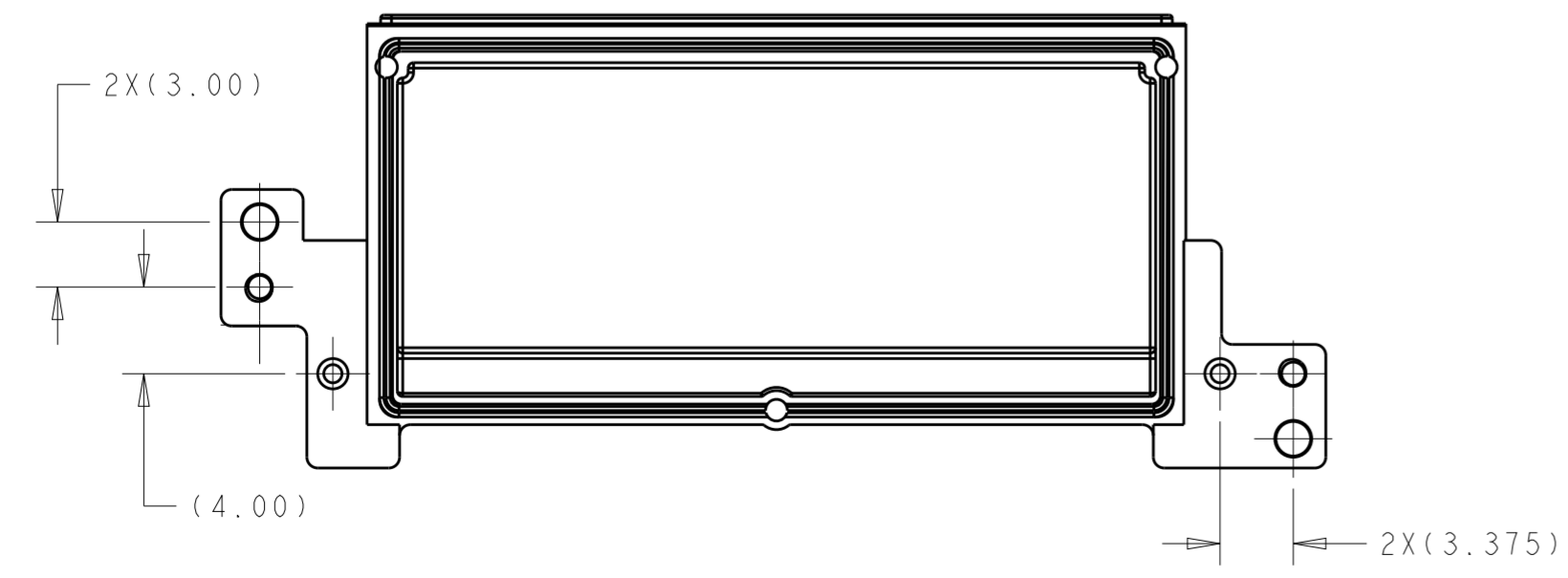
THIS DRAWING IS UNPUBLISHED. RELEASED FOR PUBLICATION 20  
 © COPYRIGHT 20 BY - ALL RIGHTS RESERVED.

REVISIONS				
P	LTR	DESCRIPTION	DATE	APVD
	A	INITIAL RELEASE	06JUN2018	AD SH



SECTION A - A

- 1.MATERIAL: RECEPTACLE COVER-ZINC ALLOY  
GASKET-SILICON  
SCREW-STAINLESS STEEL
- 2.PLATING: RECEPTACLE COVER-1.27um NICKEL OVER COPPER PLATING
- 3.MATE WIHT MSA COMPLIANT TRANSCEIVER
- 4.PACKAGED AS SEPARATED KITS IN ONE BOX



QTY	PART NUMBER	DESCRIPTION	ITEM
2	2292789-1	M1.4X6 SCREW	2
1	2274846-1	COVER WIHT GASKET	1
-1	PART NUMBER	DESCRIPTION	ITEM

THIS DRAWING IS A CONTROLLED DOCUMENT.		DWN ANDY.CIF 30MAY2016	TE Connectivity	
DIMENSIONS: mm		CHK SEAN.HAN 30MAY2016		
TOLERANCES UNLESS OTHERWISE SPECIFIED:		APVD SEAN.HAN 30MAY2016	NAME RECEPTACLE COVER WITH SCREW CFP2 1X1	
0 PLC ± 1 PLC ±0.25 2 PLC ±0.15 3 PLC ±0.10 4 PLC ± ANGLES ± FINISH		PRODUCT SPEC -	RESTRICTED TO -	
MATERIAL		APPLICATION SPEC -	SIZE A2	CAGE CODE -
		WEIGHT -	DRAWING NO C-2304452	
		CUSTOMER DRAWING	SCALE 2:1	SHEET 1 OF 1
			REV A	