

4

3

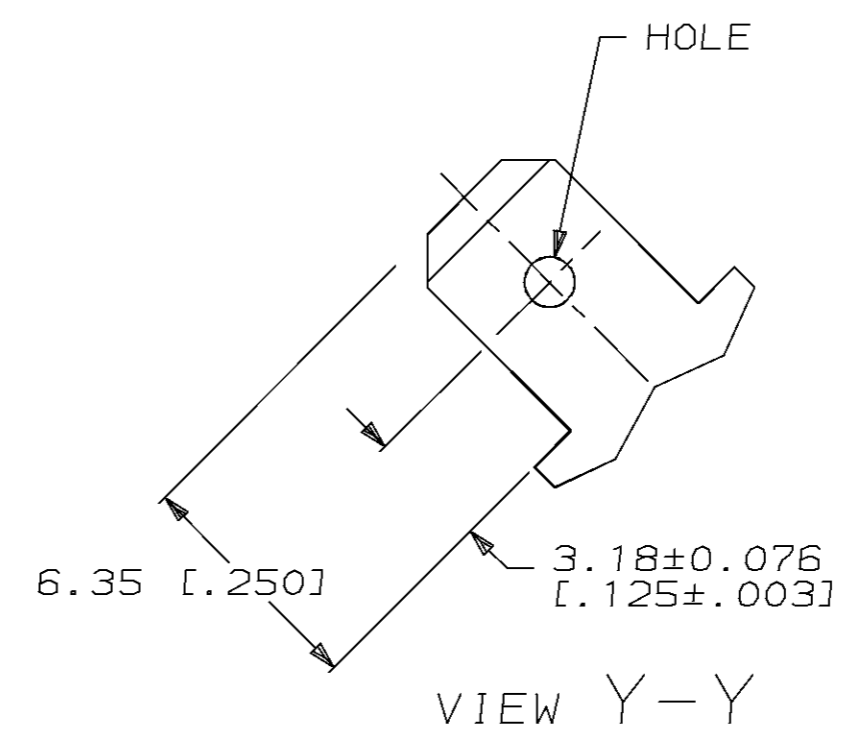
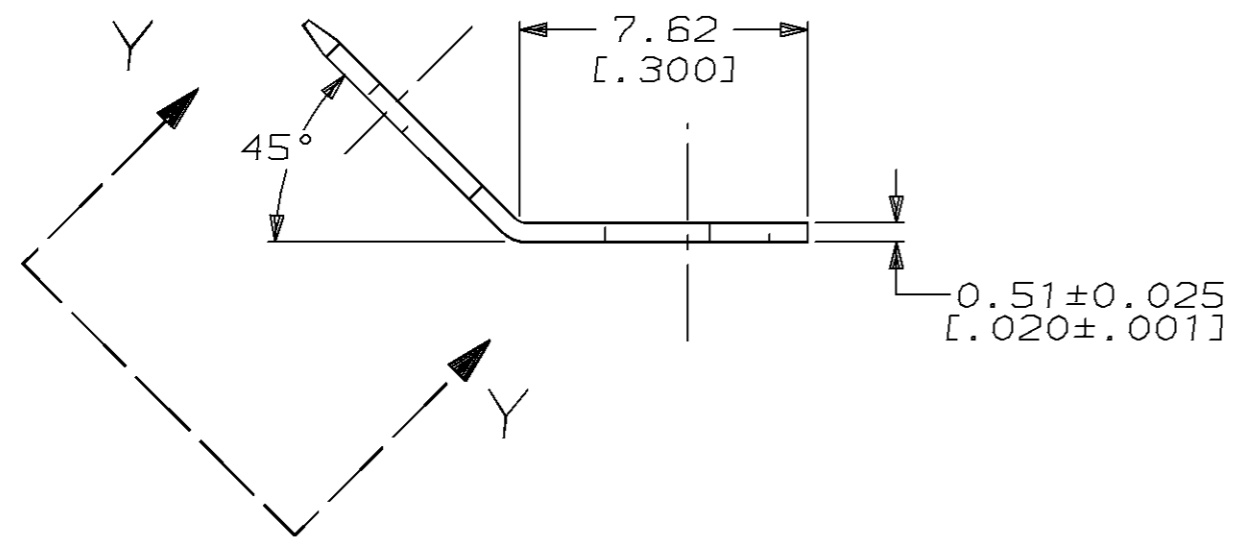
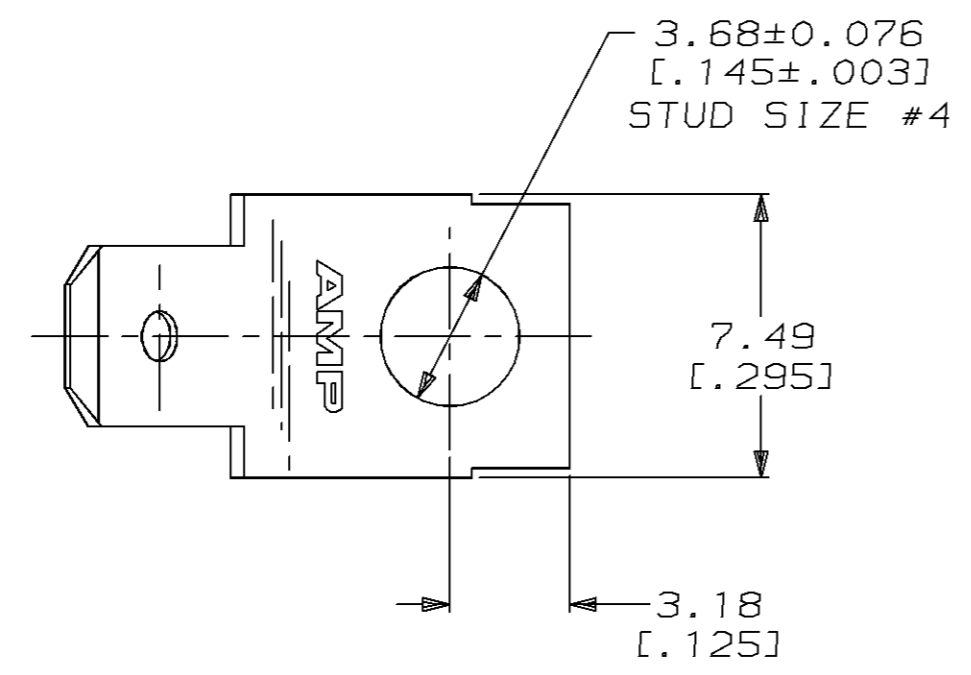
2

1

THIS DRAWING IS UNPUBLISHED. RELEASED FOR PUBLICATION, 19 .
 © COPYRIGHT 19 BY AMP INCORPORATED. ALL RIGHTS RESERVED.

LOC	DIST	REVISIONS			
P	LTR	DESCRIPTION	DATE	DWN	APVD
AF	50	B	REDRAWN PER 0L10-0008-97	1/10/97	JR JH

1 SUPPLIED IN LOOSE PIECE.



62576-1
PART NO.

THIS DRAWING IS A CONTROLLED DOCUMENT.		DWN	JR RUTH	1/10/97	AMP AMP Incorporated Harrisburg, PA 17105-3608
DIMENSIONS: MM [INCHES]		CHK	MS FEHER	1/10/97	
TOLERANCES UNLESS OTHERWISE SPECIFIED:		APVD	J HUZVAR	1/10/97	NAME
0 PLC ±-		PRODUCT SPEC	TAB, FASTON, 4.75 [.187] SERIES		
1 PLC ±-		APPLICATION SPEC	-		
2 PLC ±0.38 [.015]		WEIGHT	-		
3 PLC ±-		CUSTOMER DRAWING	SCALE	5:1	SHEET
4 PLC ±-			SIZE	A3	CAGE CODE
ANGLES ±-			DRAWING NO	00779	062576
MATERIAL	082 BRASS	FINISH	-		
		SCALE	5:1	SHEET	1 OF 1
		REV	B		