

4

3

2

1

THIS DRAWING IS UNPUBLISHED.

RELEASED FOR PUBLICATION

20

© COPYRIGHT 20 BY -

ALL RIGHTS RESERVED.

REVISIONS

P	LTR	DESCRIPTION	DATE	DWN	APVD
	A	INITIAL RELEASE	23JUN2015	DL	CW
	AI	ECR-17-001721	13FEB2017	YC	CW

NOTES:

1. TECHNICAL CHARACTERISTICS:
 HOUSING MATERIAL: DIE CAST ALUMINIUM ALLOY
 SURFACE TREATMENT: POWDER COATED, GREY
 DEGREE OF PROTECTION: IP65 (MATED)

注释:

1. 技术参数:
 下壳材料: 铝合金
 表面处理: 粉末喷涂, 灰色
 防护等级: IP65(配合)

HOUSING
下壳

TYPE 1: T1620163XXX-000 H16B-SDRM-LB-PG/M
 类型 1: T1620163XXX-000 H16B下壳, 表面安装, 彩锌单扣, PG/M,
 带金属保护盖, 灰色粉末喷涂

THIS DRAWING IS A CONTROLLED DOCUMENT.

DWN 23JUN2015
 DAVID LI
 CHK 23JUN2015
 CHRIS WANG
 APVD 23JUN2015
 XIANG XU

NAME
H16B-SDRM-LB-PG/M

DIMENSIONS:

mm

TOLERANCES UNLESS OTHERWISE SPECIFIED:

0 PLC	±-
1 PLC	±-
2 PLC	±-
3 PLC	±-
4 PLC	±-
ANGLES	±-

MATERIAL

FINISH

PRODUCT SPEC

108-137013

APPLICATION SPEC

114-137013

WEIGHT

-

SIZE

A3

CAGE CODE

-

DRAWING NO

C-T162016XXXXX00

RESTRICTED TO

-

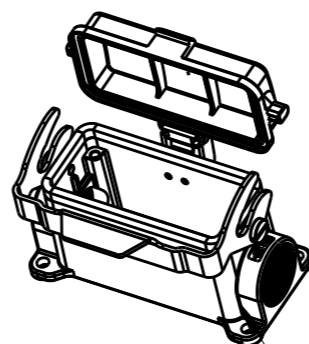
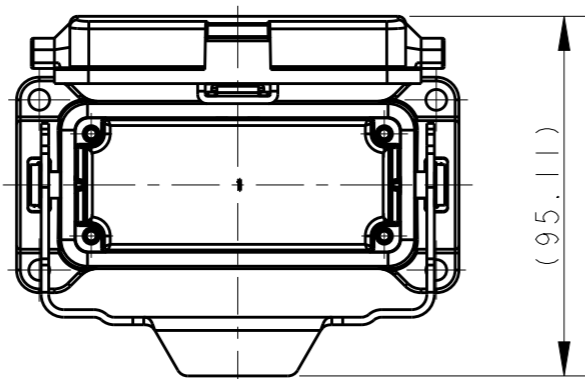
CUSTOMER DRAWING

SCALE
1:2SHEET
1 OF 3REV
AI

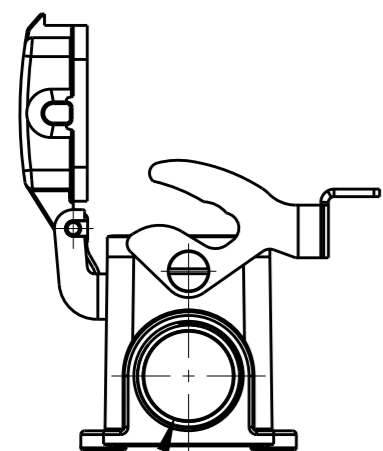
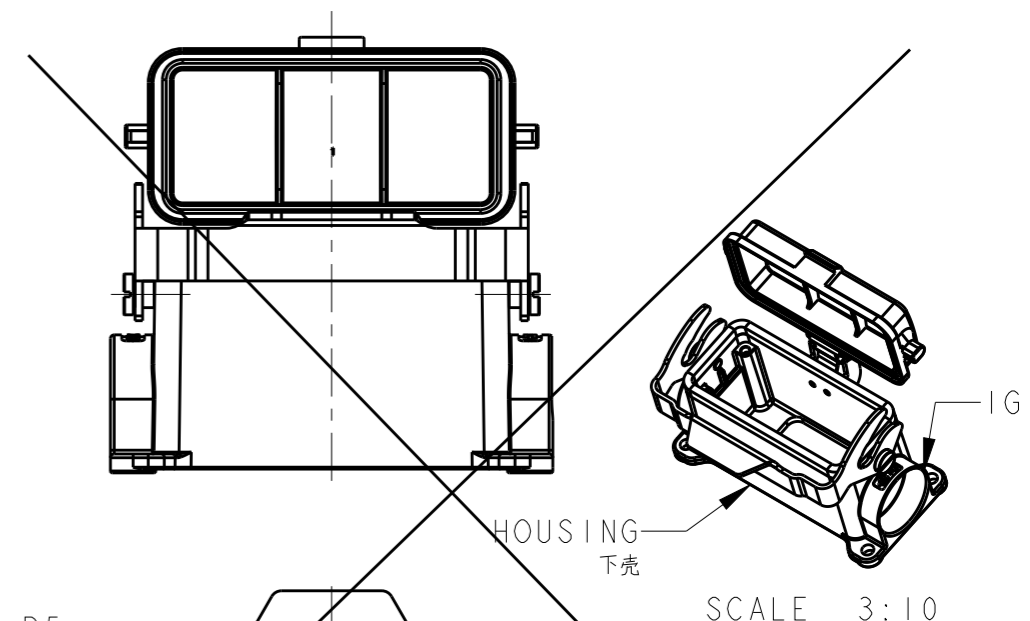
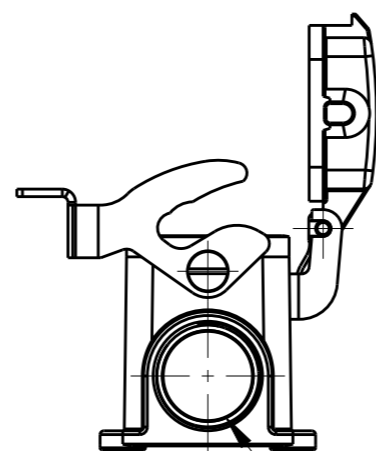
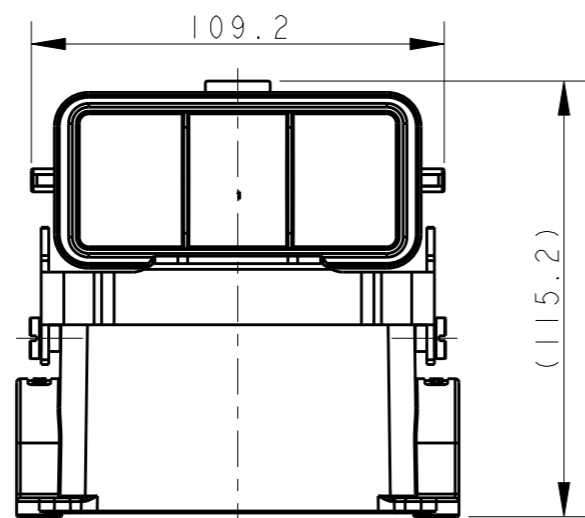
1470-19 (3/13)

REVISIONS

P	LTR	DESCRIPTION	DATE	DWN	APVD
-	-	SEE SHEET 1	-	-	-



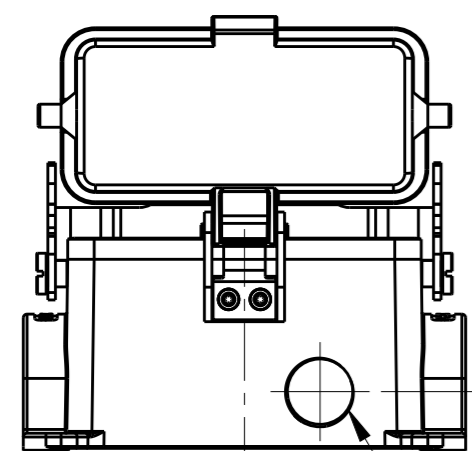
SCALE 3:10 HOUSING 下壳



IG2

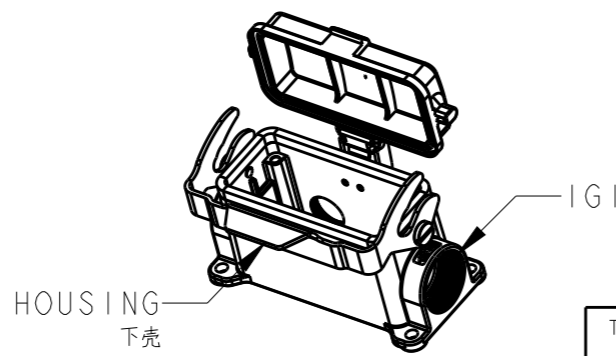
TYPE 2: T1620163XXX-000 HI6B-SDR-LB-PG/M
OTHER SPEC REFER TO TYPE 1

类型 2: T1620163XXX-000 HI6B下壳, 表面安装, 彩锌单扣, PG/M, 带塑料保护盖, 灰色粉末喷涂, 其余规范参照类型1



20

IG3



HOUSING 下壳

SCALE 3:10


TYPE 3: T1620162111-000 HI6B-SDR-LB-PG11/PG21
OTHER SPEC REFER TO TYPE 2

类型 3: T1620162111-000 HI6B下壳, 表面安装, 彩锌单扣, PG11 + 正面PG21, 带塑料保护盖, 灰色粉末喷涂, 其余规范参照类型2

TYPE 4: T1620163132-100 HI6B-SDR-LB-M32
OTHER SPEC REFER TO TYPE 2

类型 4: T1620163132-100 HI6B下壳, 表面安装, 彩锌单扣, M32, 带塑料保护盖, 底部铣槽, 灰色粉末喷涂, 其余规范参照类型2

OBSOLETE TYPE 4 PN
废除类型4料号

THIS DRAWING IS A CONTROLLED DOCUMENT.		DWN DAVID LI 23JUN2015	 TE Connectivity	
DIMENSIONS: mm		CHK CHRIS WANG 23JUN2015		
TOLERANCES UNLESS OTHERWISE SPECIFIED:		APVD XIANG XU 23JUN2015	NAME HI6B-SDRM-LB-PG/M	
0 PLC ±-		PRODUCT SPEC 108-137013	SIZE A3	
1 PLC ±-		APPLICATION SPEC 114-137013	CAGE CODE -	
2 PLC ±-		WEIGHT -	DRAWING NO C-T162016XXXXX00	
3 PLC ±-		CUSTOMER DRAWING	RESTRICTED TO -	
4 PLC ±-			SCALE 1:2 SHEET 2 OF 3	
ANGLES ±-			REV A1	
FINISH -				
MATERIAL -				

THIS DRAWING IS UNPUBLISHED.

RELEASED FOR PUBLICATION

20

REVISIONS

© COPYRIGHT 20 BY - ALL RIGHTS RESERVED.

P	LTR	DESCRIPTION	DATE	DWN	APVD
	-	SEE SHEET 1	-	-	-

NOTES:

SEE SHEET 1

注释:

参照 SHEET 1

PART NUMBER 料号		PART DESCRIPTION 描述	IG1	IG2	IG3	TYPE 类型
T1620163421-000	H16B-SDRM-LB-PG21	H16B HOUSING, SURFACE MOUNTED, METAL SINGLE LOCKING, PG21, METAL PROTECTION COVER, POWDER COATED, GREY H16B下壳, 表面安装, 彩锌单扣, PG21, 带金属保护盖, 灰色粉末喷涂	PG21	-	-	TYPE 1 类型1
T1620163425-000	H16B-SDRM-LB-M25	H16B HOUSING, SURFACE MOUNTED, METAL SINGLE LOCKING, M25, METAL PROTECTION COVER, POWDER COATED, GREY H16B下壳, 表面安装, 彩锌单扣, M25, 带金属保护盖, 灰色粉末喷涂	M25	-	-	
T1620163321-000	H16B-SDRM-LB-2PG21	H16B HOUSING, SURFACE MOUNTED, METAL SINGLE LOCKING, 2PG21, METAL PROTECTION COVER, POWDER COATED, GREY H16B下壳, 表面安装, 彩锌单扣, 2PG21, 带金属保护盖, 灰色粉末喷涂	PG21	PG21	-	
T1620163325-000	H16B-SDRM-LB-2M25	H16B HOUSING, SURFACE MOUNTED, METAL SINGLE LOCKING, 2M25, METAL PROTECTION COVER, POWDER COATED, GREY H16B下壳, 表面安装, 彩锌单扣, 2M25, 带金属保护盖, 灰色粉末喷涂	M25	M25	-	TYPE 2 类型2
T1620163121-000	H16B-SDR-LB-PG21	H16B HOUSING, SURFACE MOUNTED, METAL SINGLE LOCKING, PG21, PLASTIC PROTECTION COVER, POWDER COATED, GREY H16B下壳, 表面安装, 彩锌单扣, PG21, 带塑料保护盖, 灰色粉末喷涂	PG21	-	-	
T1620163120-000	H16B-SDR-LB-M20	H16B HOUSING, SURFACE MOUNTED, METAL SINGLE LOCKING, M20, PLASTIC PROTECTION COVER, POWDER COATED, GREY H16B下壳, 表面安装, 彩锌单扣, M20, 带塑料保护盖, 灰色粉末喷涂	M20	-	-	
T1620163125-000	H16B-SDR-LB-M25	H16B HOUSING, SURFACE MOUNTED, METAL SINGLE LOCKING, M25, PLASTIC PROTECTION COVER, POWDER COATED, GREY H16B下壳, 表面安装, 彩锌单扣, M25, 带塑料保护盖, 灰色粉末喷涂	M25	-	-	TYPE 2 类型2
T1620163132-000	H16B-SDR-LB-M32	H16B HOUSING, SURFACE MOUNTED, METAL SINGLE LOCKING, M32, PLASTIC PROTECTION COVER, POWDER COATED, GREY H16B下壳, 表面安装, 彩锌单扣, M32, 带塑料保护盖, 灰色粉末喷涂	M32			
T1620163221-000	H16B-SDR-LB-2PG21	H16B HOUSING, SURFACE MOUNTED, METAL SINGLE LOCKING, 2PG21, PLASTIC PROTECTION COVER, POWDER COATED, GREY H16B下壳, 表面安装, 彩锌单扣, 2PG21, 带塑料保护盖, 灰色粉末喷涂	PG21	PG21	-	
T1620163225-000	H16B-SDR-LB-2M25	H16B HOUSING, SURFACE MOUNTED, METAL SINGLE LOCKING, 2M25, PLASTIC PROTECTION COVER, POWDER COATED, GREY H16B下壳, 表面安装, 彩锌单扣, 2M25, 带塑料保护盖, 灰色粉末喷涂	M25	M25	-	TYPE 3 类型3
T1620162111-000	H16B-SDR-LB-PG11/PG21	H16B HOUSING, SURFACE MOUNTED, METAL SINGLE LOCKING, PG11+FRONT ENTRY PG21, PLASTIC PROTECTION COVER, POWDER COATED, GREY H16B下壳, 表面安装, 彩锌单扣, PG11+正面PG21, 带塑料保护盖, 灰色粉末喷涂	PG21	-	PG11	
T1620163132-100	H16B-SDR-LB-M32/T	H16B HOUSING, SURFACE MOUNTED, METAL SINGLE LOCKING, M32, PLASTIC PROTECTION COVER, MILL ON BOTTOM, POWDER COATED, GREY H16B下壳, 表面安装, 彩锌单扣, M32, 带塑料保护盖, 底部铣槽, 灰色粉末喷涂	M32			
			IG1	IG2	IG3	TYPE 类型

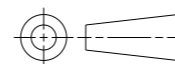
OBSOLETE
废除

OBSOLETE
废除

THIS DRAWING IS A CONTROLLED DOCUMENT.

DIMENSIONS:

mm



TOLERANCES UNLESS OTHERWISE SPECIFIED:

- 0 PLC ±-
- 1 PLC ±-
- 2 PLC ±-
- 3 PLC ±-
- 4 PLC ±-
- ANGLES ±-

MATERIAL

FINISH

DWN 23JUN2015

DAVID LI

CHK 23JUN2015

CHRIS WANG

APVD 23JUN2015

XIANG XU

PRODUCT SPEC

108-137013

APPLICATION SPEC

114-137013

WEIGHT

-

CUSTOMER DRAWING



TE Connectivity

NAME
H16B-SDRM-LB-PG/M

SIZE CAGE CODE DRAWING NO RESTRICTED TO

A3 - ©-T162016XXXXX00 -

SCALE 1:2 SHEET 3 OF 3 REV A1