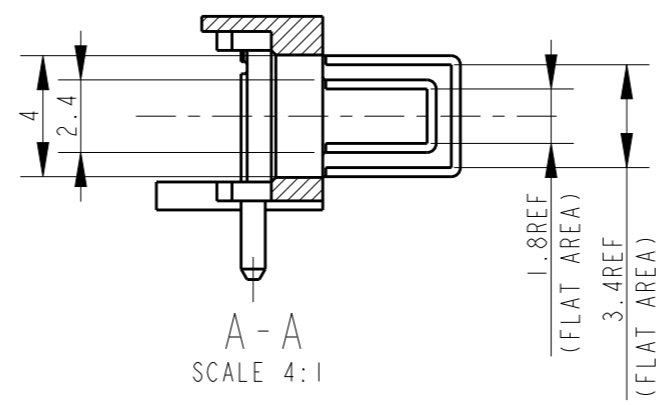
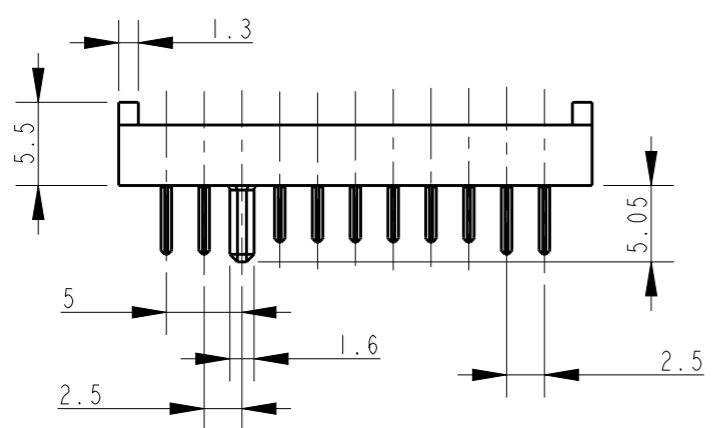
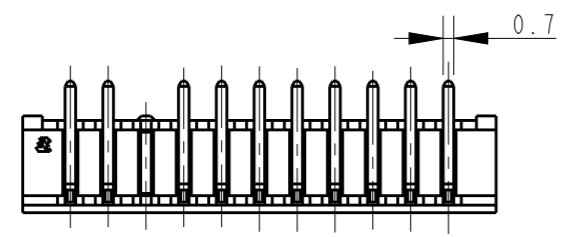


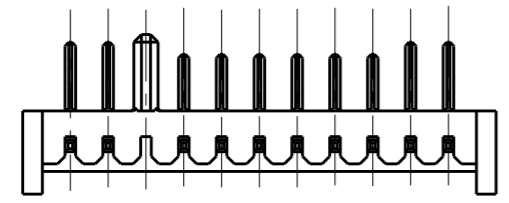
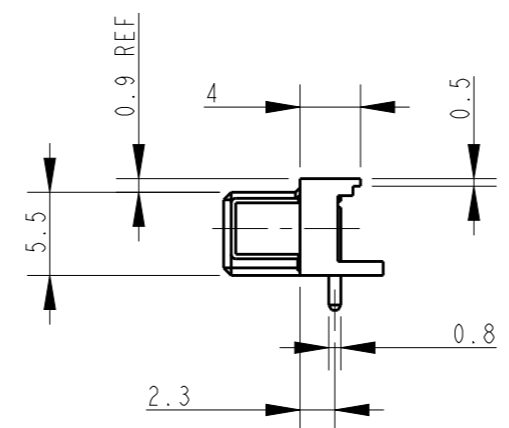
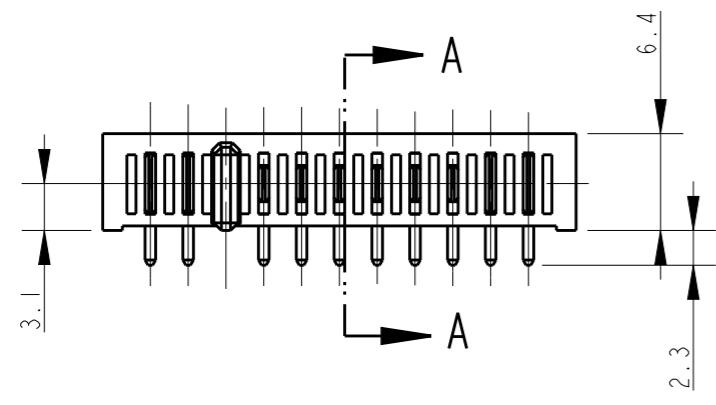
THIS DRAWING IS UNPUBLISHED. RELEASED FOR PUBLICATION 20  
 © COPYRIGHT 20 BY TYCO ELECTRONICS CORPORATION. ALL RIGHTS RESERVED.

LOC	DIST	REVISIONS				
P	LTR	DESCRIPTION	DATE	DWN	APVD	
ES	00	F1	OBSOLETE PART NUMBER (ECR-14-010684)	09MAR2015	W.C	V.P

1717445-1: AS SHOWN



- 1 MATERIAL  
HOUSING: THERMOPLASTIC RESIN, UL94V-0, BLACK  
CONTACT: COPPER ALLOY
- 2 FINISH  
CONTACT: Ni ALL OVER UNDER PL.  
GOLD PL. AT CONTACT AREA  
GOLD FLUSH PL. AT LEAD AREA
- 3 VIEW FROM CONNECTOR MOUNTING SIDE, PCB THK 0.8~1.2,

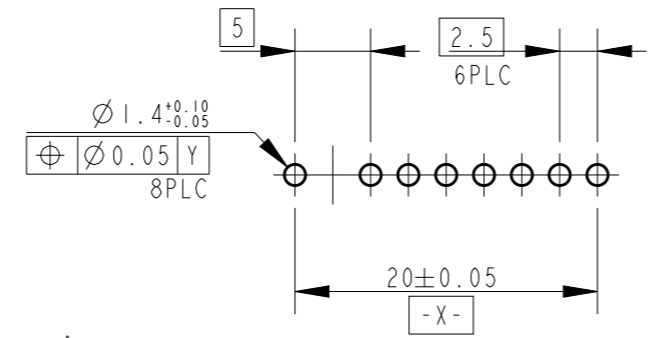
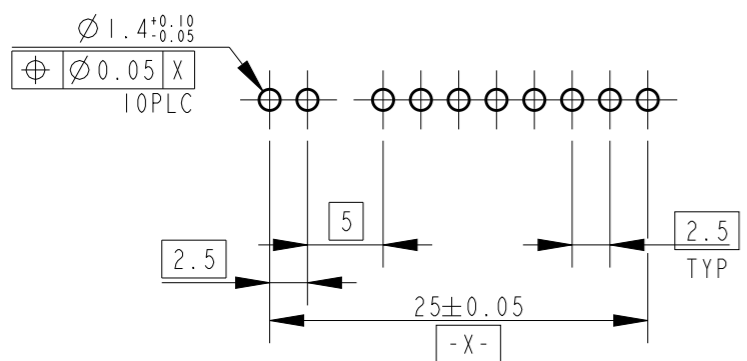
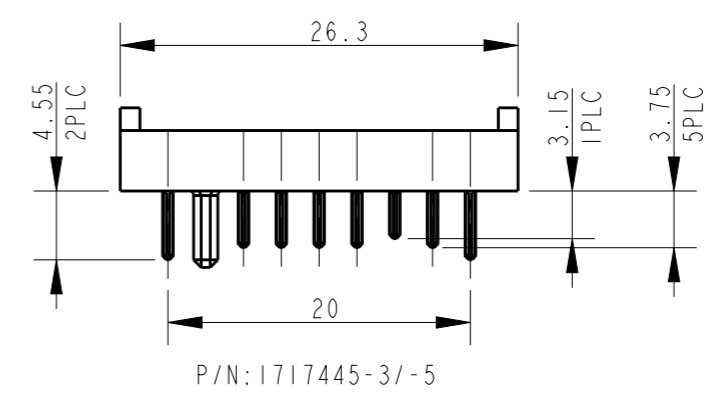
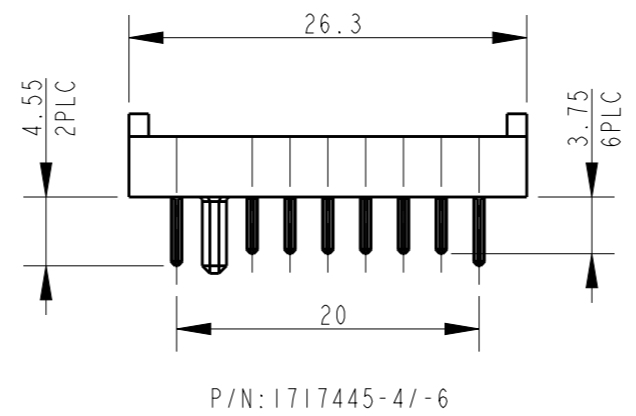
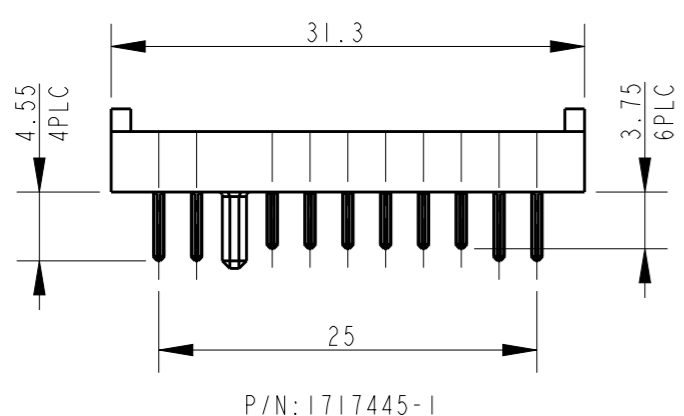


	POSITION	P/N
	8	1717445-6
	8	1717445-5
OBSOLETE	8	<del>1717445-4</del>
OBSOLETE	8	<del>1717445-3</del>
OBSOLETE	8	<del>1717445-2</del>
OBSOLETE	10	<del>1717445-1</del>

<small>THIS DRAWING IS A CONTROLLED DOCUMENT FOR TYCO ELECTRONICS CORPORATION. IT IS SUBJECT TO CHANGE AND THE CONTROLLING ENGINEERING ORGANIZATION SHOULD BE CONTACTED FOR THE LATEST REVISION.</small>		DWN T. KATANO 08OCT03 CHK T. KIMURA 08OCT03 APVD K. IKEGAMI 08OCT03		<b>Tyco Electronics</b> Tyco Electronics Shanghai, P.R.China, 200233	
DIMENSIONS: mm 		TOLERANCES UNLESS OTHERWISE SPECIFIED: ± 0.3 0 PLC ± 1 PLC ±0.1 2 PLC ±0.01 3 PLC ±0.001 4 PLC ±0.0001 ANGLES ±3°		NAME <b>PLUG ASSEMBLY</b> <b>2.5mm PITCH BATTERY CONNECTOR</b>	
MATERIAL 1		FINISH 2		PRODUCT SPEC - APPLICATION SPEC - WEIGHT -	
CUSTOMER DRAWING			SIZE A3 CAGE CODE 00779 DRAWING NO. 1717445		RESTRICTED TO -
			SCALE 2:1 SHEET 1 OF 3		REV F1

THIS DRAWING IS UNPUBLISHED. RELEASED FOR PUBLICATION 20  
 © COPYRIGHT 20 BY TYCO ELECTRONICS CORPORATION. ALL RIGHTS RESERVED.

LOC	DIST	REVISIONS			
P	LTR	DESCRIPTION	DATE	DWN	APVD
ES	00	-	SEE SHEET 1	-	-



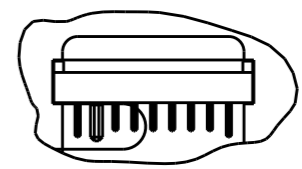
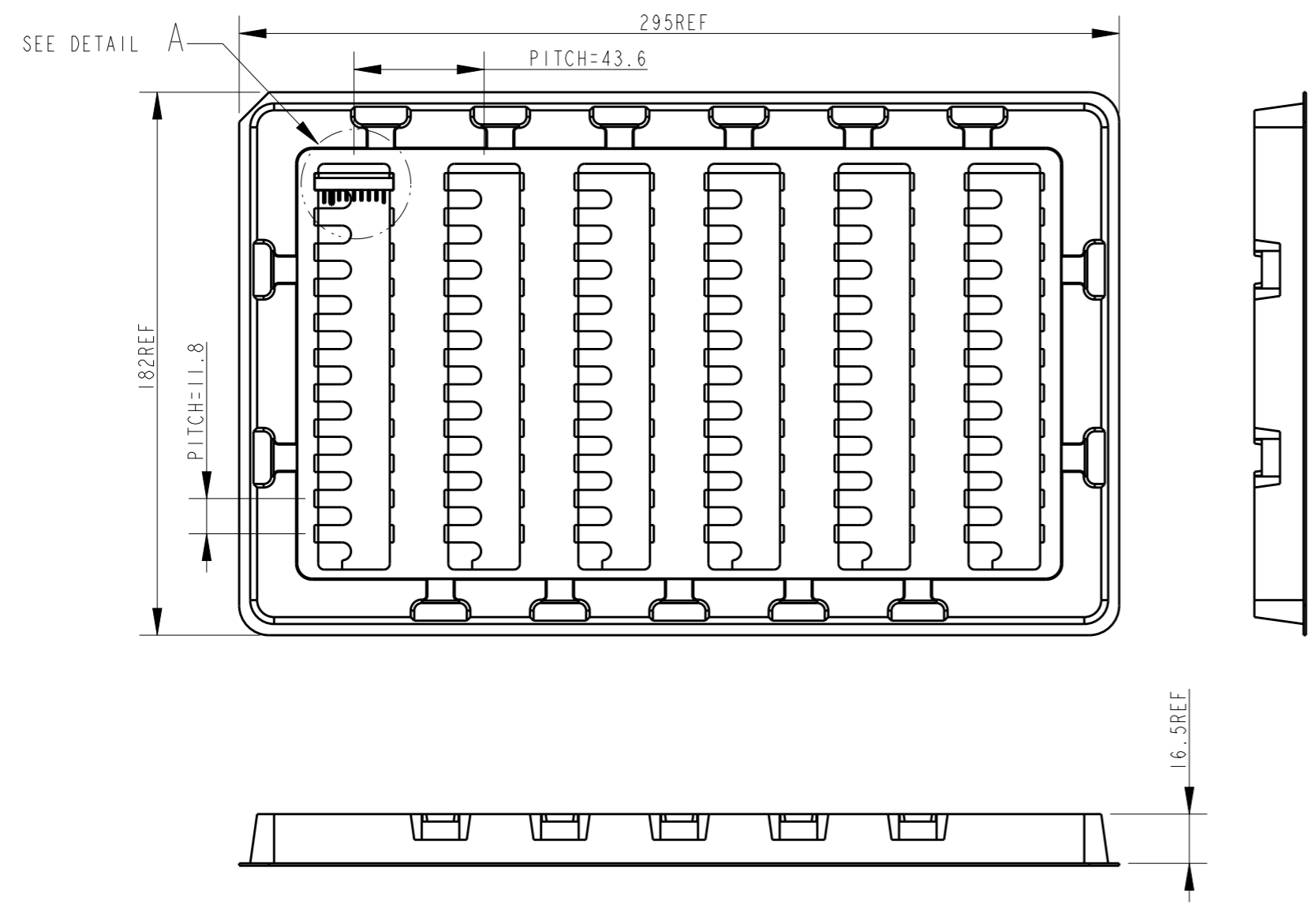
3 REFERENCE PCB LAYOUT FOR 1717445-1

3 REFERENCE PCB LAYOUT FOR 1717445-4/-5/-6

<small>THIS DRAWING IS A CONTROLLED DOCUMENT FOR TYCO ELECTRONICS CORPORATION. IT IS SUBJECT TO CHANGE AND THE CONTROLLING ENGINEERING ORGANIZATION SHOULD BE CONTACTED FOR THE LATEST REVISION.</small>		DWN T. KATANO 08OCT03 CHK T. KIMURA 08OCT03 APVD K. IKEGAMI 08OCT03		Tyco Electronics Shanghai, P.R.China, 200233	
DIMENSIONS: mm 		TOLERANCES UNLESS OTHERWISE SPECIFIED: $\pm 0.3$ 0 PLC $\pm 0.1$ 1 PLC $\pm 0.1$ 2 PLC $\pm 0.01$ 3 PLC $\pm 0.001$ 4 PLC $\pm 0.0001$ ANGLES $\pm 3^\circ$		NAME 2.5mm PITCH BATTERY CONNECTOR	
MATERIAL -		FINISH -		PRODUCT SPEC - APPLICATION SPEC - WEIGHT -	
CUSTOMER DRAWING		SCALE 2:1		SIZE A3 CAGE CODE 00779 DRAWING NO. 1717445 SHEET 2 OF 3 RESTRICTED TO -	

THIS DRAWING IS UNPUBLISHED. RELEASED FOR PUBLICATION 20  
 © COPYRIGHT 20 BY TYCO ELECTRONICS CORPORATION. ALL RIGHTS RESERVED.

LOC	DIST	REVISIONS			
P	LTR	DESCRIPTION	DATE	DWN	APVD
		SEE SHEET 1	-	-	-



DETAIL A  
SCALE 1:1

PACKAGE MATERIAL FOR 1717445-3/1717445-4/1717445-5/1717445-6  
66PCS/TRAY

<small>THIS DRAWING IS A CONTROLLED DOCUMENT FOR TYCO ELECTRONICS CORPORATION IT IS SUBJECT TO CHANGE AND THE CONTROLLING ENGINEERING ORGANIZATION SHOULD BE CONTACTED FOR THE LATEST REVISION.</small>		DWN T. KATANO 08OCT03	Tyco Electronics Shanghai, P.R.China, 200233		
DIMENSIONS: mm		CHK T. KIMURA 08OCT03			
		APVD K. IKEGAMI 08OCT03	NAME PLUG ASSEMBLY 2.5mm PITCH BATTERY CONNECTOR		
TOLERANCES UNLESS OTHERWISE SPECIFIED: ± 0.5 0 PLC ± 1 PLC ±0.1 2 PLC ±0.01 3 PLC ±0.001 4 PLC ±0.0001 ANGLES ±3°		PRODUCT SPEC -	RESTRICTED TO -		
MATERIAL -		APPLICATION SPEC -	SIZE A3	CAGE CODE 00779	DRAWING NO G-1717445
FINISH -		WEIGHT -	SCALE 2:1 SHEET 3 OF 3 REV F1		
CUSTOMER DRAWING					