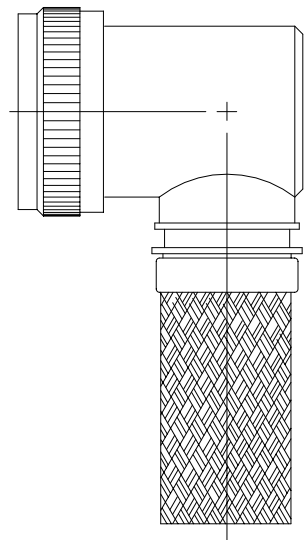


REVISIONS			
LTR	DESCRIPTION	DATE	APPROVED
L	REVISED PER ECN AD94022		



CODE 40 SHIELDED 90° ADAPTER

NOTES:

- THIS PRODUCT IS DESIGNED TO TERMINATE A HEAT SHRINKABLE LIPPED BOOT TO A CONNECTOR.
- FOR ADDITIONAL DIMENSIONS, ORDERING INFORMATION AND MODIFICATIONS, SEE CH00-0250-004.
- ADAPTER TO BE PERMANENTLY MARKED WITH CODE IDENT. NO. AND PART NO. (E.G.: 06090-208M912-19B08).
- FOR LARGER ENTRY SIZES, A 2 PIECE ADAPTER (TYPE II) IS SUPPLIED.
- BRAID TERMINATION RING MAY BE SUPPLIED AS TINEL-LOCK SHAPE MEMORY RING AT MANUFACTURER'S OPTION.
- ADAPTER MATES TO MIL-C-38999 SERIES III & IV, CLASS C, F, K AND W, D38999/20, /24, /26, /40, /46, /47 CONNECTORS AND WHEN SO MATED SHALL PROVIDE A WATER-TIGHT SEAL MEETING THE REQUIREMENTS OF MIL-C-85049, PAR. 3.5.7.

If this document is printed it becomes uncontrolled.
Check for the latest revision.

SPECIFICATION CONTROL DRAWING

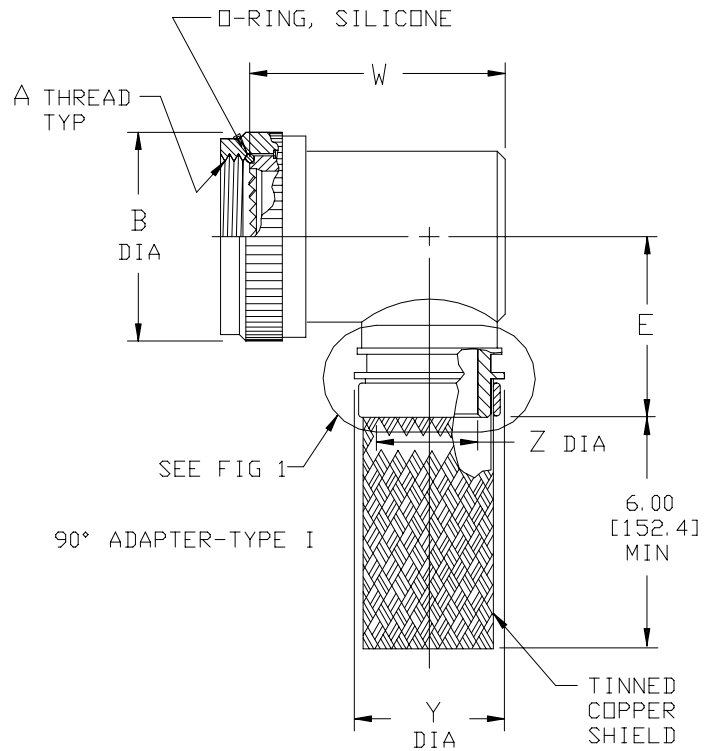
UNLESS OTHERWISE SPECIFIED
DIMENSIONS ARE IN INCHES.
METRIC DIMENSIONS ARE
IN BRACKETS.

DECIMALS
.XXX ± — [mm]
.XX ± — [mm]
.X ± — [mm]

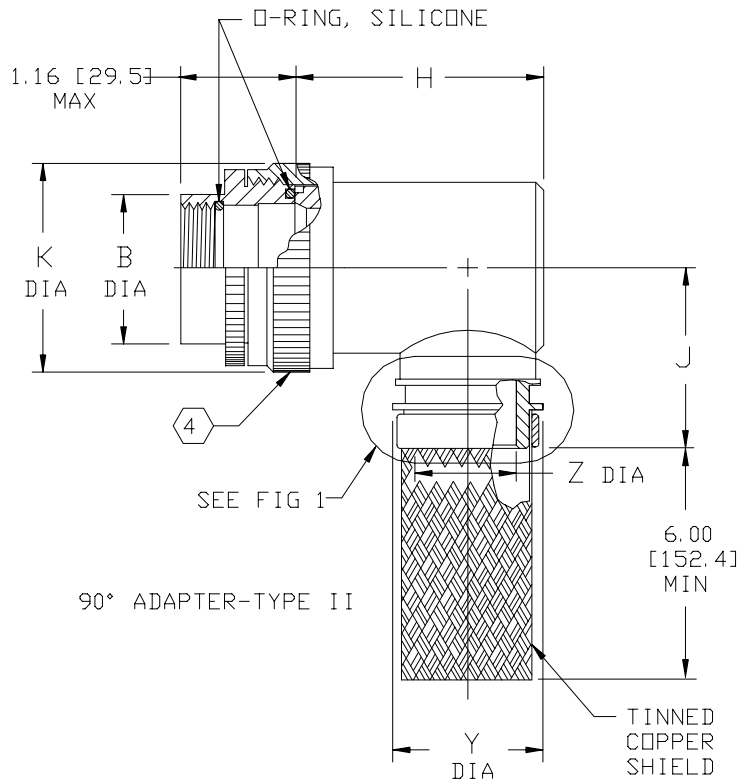
ANGLES
.X ± —

DRAWN R. RAMIREZ	DATE 03-19-93
CHECKED	DATE
APPROVED W. C. GAY	DATE 05-19-93
APPROVED	DATE
CAD NAME \ACAD12\208M9XX	
THIRD ANGLE PROJECTION	

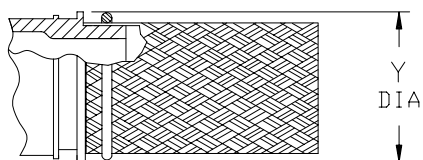
tyco Electronics	Tyco Electronics Corporation 300 Constitution Drive Menlo Park, CA. 94025 U.S.A.	Raychem
TITLE ADAPTER, SHIELD, 90° CODE 40		
SIZE A	CODE IDENT. NO. 06090	DWG. NO. 208M9XX
DO NOT SCALE THIS DWG		REV L
SHEET 1 OF 3		



90° ADAPTER-TYPE I



90° ADAPTER-TYPE II



TINEL-LOCK TERMINATION

FIG 1 (5)

If this document is printed it becomes uncontrolled.
Check for the latest revision.

SIZE	CODE	IDENT. NO.	DWG. NO.	REV
A		06090	208M9XX	L
DO NOT SCALE THIS DWG			CAD NAME \ACAD12\208M9X-2	SHEET 2 OF 3

TABLE I



BASE PART NO.	SHELL SIZE 		MAX ENTRY SIZE TYPE I 	A METRIC THD CLASS 6H	B DIA MAX	E MAX
	COML	MIL				
208M908	9	A	04	M12 X 1.0	.750 [19.1]	1.15 [29.2]
208M910	11	B	07	M15 X 1.0	.850 [21.6]	1.21 [30.7]
208M912	13	C	09	M18 X 1.0	1.000 [25.4]	1.28 [32.5]
208M914	15	D	10	M22 X 1.0	1.150 [29.2]	1.34 [34.0]
208M916	17	E	12	M25 X 1.0	1.250 [31.8]	1.40 [35.6]
208M918	19	F	14	M28 X 1.0	1.400 [35.6]	1.46 [37.1]
208M920	21	G	16	M31 X 1.0	1.500 [38.1]	1.53 [38.9]
208M922	23	H	18	M34 X 1.0	1.650 [41.9]	1.59 [40.4]
208M924	25	J	20	M37 X 1.0	1.750 [44.5]	1.67 [42.4]

TABLE II

ENTRY SIZE	K MAX	Z ±.020 [±0.51]	Y DIA MIN	J MAX	W MAX	H MAX
03	NA	.187 [4.75]	.393 [9.98]	NA	1.23 [31.2]	NA
04	NA	.250 [6.35]	.456 [11.58]	NA	1.23 [31.2]	NA
05	.80 [20.3]	.312 [7.92]	.515 [13.08]	1.16 [29.5]	1.29 [32.8]	1.19 [30.2]
06	.80 [20.3]	.375 [9.53]	.581 [14.76]	1.16 [29.5]	1.35 [34.3]	1.19 [30.2]
07	.92 [23.4]	.438 [11.13]	.643 [16.33]	1.22 [31.0]	1.42 [36.1]	1.38 [35.1]
08	.92 [23.4]	.500 [12.70]	.705 [17.91]	1.22 [31.0]	1.48 [37.6]	1.38 [35.1]
09	1.18 [30.0]	.562 [14.27]	.705 [17.91]	1.35 [34.3]	1.60 [40.6]	1.51 [38.4]
10	1.18 [30.0]	.625 [15.88]	.831 [21.11]	1.35 [34.3]	1.60 [40.6]	1.51 [38.4]
11	1.18 [30.0]	.688 [17.48]	.893 [22.68]	1.40 [35.6]	1.73 [43.9]	1.63 [41.4]
12	1.35 [34.3]	.750 [19.05]	.953 [24.21]	1.40 [35.6]	1.73 [43.9]	1.63 [41.4]
13	1.41 [35.8]	.812 [20.62]	.953 [24.21]	1.46 [37.1]	1.85 [47.0]	1.78 [45.2]
14	1.41 [35.8]	.875 [22.23]	1.081 [27.46]	1.46 [37.1]	1.85 [47.0]	1.78 [45.2]
15	1.60 [40.6]	.938 [23.83]	1.143 [29.03]	1.53 [38.9]	2.00 [50.8]	1.88 [47.8]
16	1.60 [40.6]	1.000 [25.40]	1.205 [30.61]	1.53 [38.9]	2.00 [50.8]	1.88 [47.8]
18	1.66 [42.2]	1.125 [28.58]	1.381 [35.08]	1.59 [40.4]	2.13 [54.1]	2.01 [51.1]
20	2.04 [51.8]	1.250 [31.75]	1.506 [38.25]	1.78 [45.2]	2.25 [57.2]	2.13 [54.1]
22	2.23 [56.6]	1.375 [34.93]	1.631 [41.43]	1.85 [47.0]	NA	2.29 [58.2]
24	2.23 [56.6]	1.500 [38.10]	1.756 [44.60]	1.92 [48.8]	NA	2.42 [61.5]
28	2.48 [63.0]	1.750 [44.45]	2.004 [50.90]	2.17 [55.1]	NA	2.67 [67.8]

If this document is printed it becomes uncontrolled.
Check for the latest revision.

SIZE	CODE IDENT. NO.	DWG. NO.	REV
A	06090	208M9XX	L
DO NOT SCALE THIS DWG		CAD NAME \ACAD12\208M9X-3	SHEET 3 OF 3