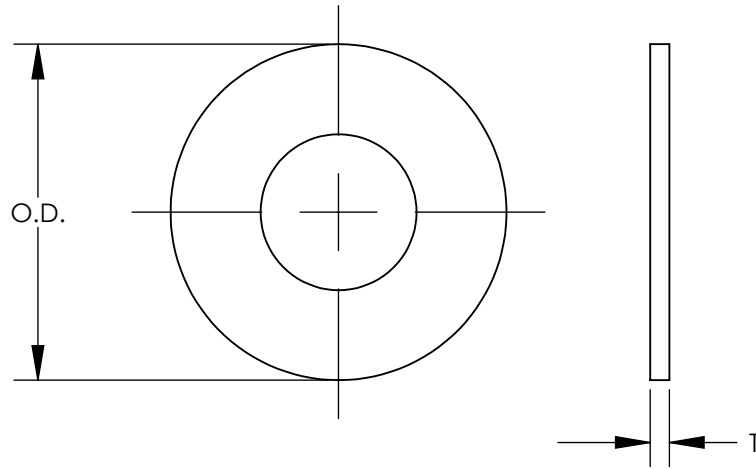



THIS COPY IS PROVIDED ON A RESTRICTED BASIS AND IS NOT TO BE USED IN ANY WAY DETRIMENTAL TO THE INTERESTS OF PANDUIT CORP.

PANDUIT PART NUMBER	I.D.	O.D.	T	QUANTITY
SSFW14-C	1/4" [6mm]	5/8" [16mm]	.07 [1.6mm]	100
SSFW38-C	3/8" [26mm]	7/8" [22mm]	.05 [1.3mm]	100

NOTES:

- PART NUMBERS: SSFW14, SSFW38
- MATERIAL: STAINLESS STEEL
- DIMENSIONS IN PARENTHESIS ARE MILLIMETERS



02	12/16	JHNU	JHNU	VOIDED DRAWING, PARTS MOVED TO 15J350BH-DC	N11000BH-C41734	RGB	RGB	
01	5/08	JHNU	JHNU	ADDED I.D. COLUMN TO TABLE				
00	5/08	JHNU	JHNU	DRAWING RELEASED				
<b>REV</b>	<b>DATE</b>	<b>BY</b>	<b>CHK</b>	<b>DESCRIPTION</b>	<b>ECN</b>	<b>-R</b>	<b>SUP</b>	<b>DRAWN BY</b> JHNU <b>CHK'D</b> <b>SCALE</b> NONE <b>DRAWING NO / CAD FILE</b> C41734

STAINLESS STEEL FLAT WASHER  
(SSFW14-C, SSFW38-C)  
CUSTOMER DRAWING