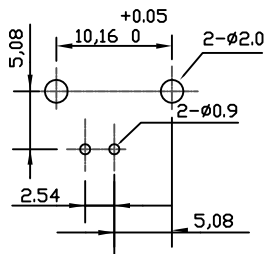
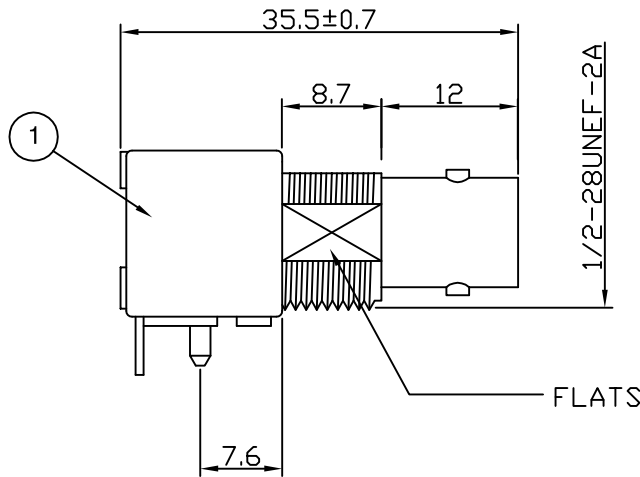
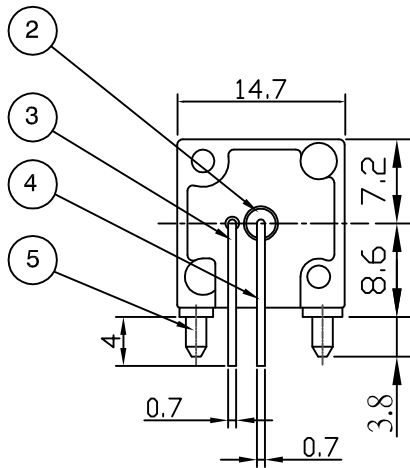
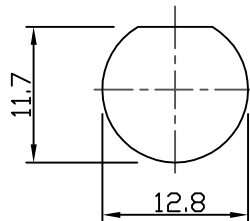


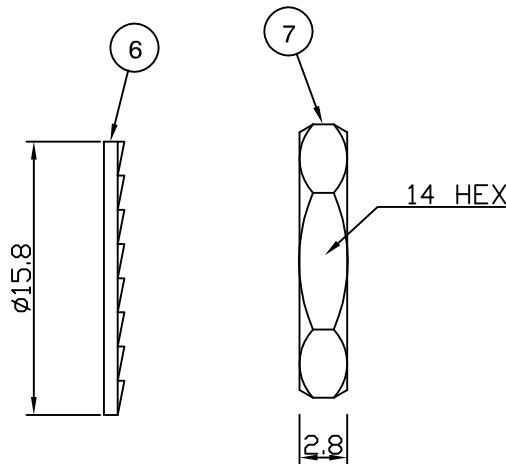
RoHS COMPLIANT



RECOMMENDED PCB LAYOUT



RECOMMENDED PANEL CUTOUT



**Electrical Characteristics**

Nominal Impedance: 75 ohms  
 Frequency Range: DC to 1 GHz  
 Operating Voltage (rms): 500 V maximum at sea level  
 Dielectric Withstand Voltage (rms): 1500 V maximum at sea level  
 Contact Resistance: 3 milliohms maximum  
 Insulation Resistance: 5000 megohms minimum

**Mechanical Characteristics**

Mating Cycles: 5000 cycles minimum  
 Interface Dimensions: Conform to MIL-C-39012

**Environmental Characteristics**

Temperature Range: -55 °C to +85 °C

REF.	DESCRIPTION	MATERIAL	PLATING
1	Body	Zinc Alloy	Nickel
2	Insulator	Polypropylene	
3	Ground Terminal	Copper-clad steel	Tin
4	Socket Contact	Phosphor	Gold
5	Mount Post	Brass	Tin>5Microns
6	Lock Washer	Brass	Nickel
7	Hex Nut	Brass	Nickel

**Note : Nuts and washers are supplied loose.**

Dimension Updated	JC	8	13 May 15
Dimension Added	JC	7	04 July 12
Complete Update	KA	6	17 Mar 08
Tin plating thickness added	MS	5	5 March 08
Additional dimensions added	JDW	4	22 July 05
CAD Issue	PDC	3	22 Oct 02
Mil spec added	VEL	2	05 Aug 98
First Issue	DJH	1	11 Feb 98
DESCRIPTION OF REVISION	APPVD	ISS	DATE



11 Bilton Road,  
 Chelmsford, Essex,  
 CM1 2UP UK.  
 Tel: +44 (0) 1245 359515  
 Fax: +44 (0) 1245 358938

SCALE: Not To Scale

DIMENSIONS: mm

TOLERANCES:  
 ± 0.2mm unless  
 otherwise stated

DRAWN BY:

P D Couzens

CHECKED BY:

S Nash

APPROVED BY:

R Drenan

DATE:

22 Oct 02

TITLE:

Shielded BNC Right-angle  
 PCB Mount Jack

PART NUMBER:

**VBM201-75**

PAGE: 1 of 1