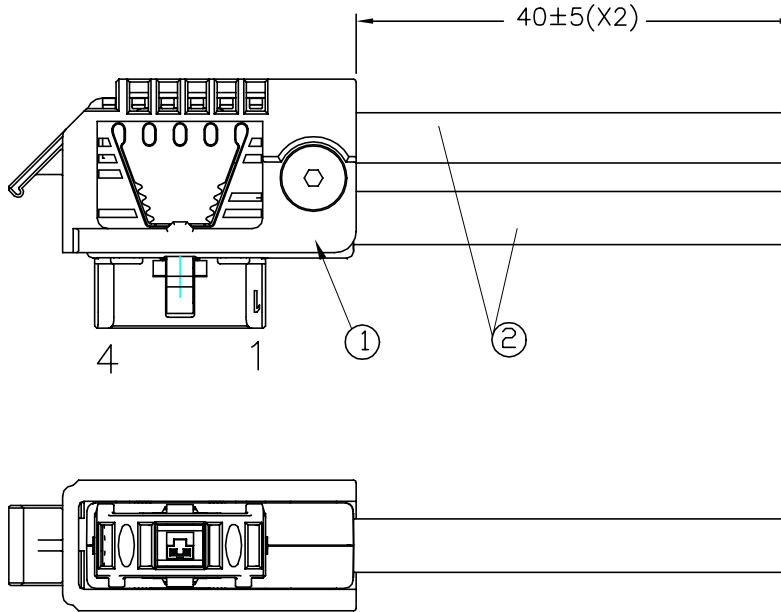


PRODUCT NUMBER
NOTE 3

10129819-4AA0006LF



WIRING LIST SEE NOTE 4		LABEL
POS. 1	BLACK WIRE	+
POS. 2		
POS. 3	BLACK WIRE	-
POS. 4		

NA	MM	Description	Item
	UL1569 4AWG(25mm ²) BLACK		2
1	PC	RIGHT ANGLE TWINBLADE CONNECTOR KIT	1

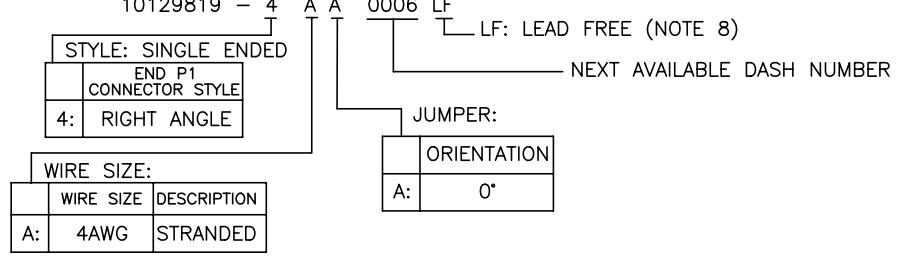
spec ref	-			dr	William He	2014-07-25	projection	size	scale
tolerance std	TOLERANCES UNLESS OTHERWISE SPECIFIED			eng	William He	2014-07-25		A3	N/A
-				chr	Guo-Feng Jin	2014-07-25		mm	ecn no
surface	linear	0.X	± -	appr	Guo-Feng Jin	2014-07-25	product family	rel level	-
-		0.XX	± 0.25			title TWINBLADE CABLE WITH SENSE PIN AND LATCH FOR PROMOTION		dwg no 10129819-4AA0006LF	
		0.XXX	± -						
	angular	0~	± -'						

NOTES:

1. MATES WITH FCI CONNECTOR: 51939-901LF.

2. UNLESS OTHERWISE SPECIFIED ASSEMBLED LENGTH TOLERANCE =
< = 1 METER: ±15.0mm
> 1 METER TO 10 METER: ±2% OF "DIM L"
> 10 METER: +0.00% / -4% OF "DIM L"

3. PART NUMBER DESCRIPTION:
10129819 - 4 A A 0006 LF



10. GLOBAL STANDARDS FOR CABLE PACKAGING: GS-14-1325.

11. A "△" SYMBOL WILL BE NEXT TO ANY DIMENSION, VIEW, OR NOTE WHICH HAS BEEN MODIFIED WITH THE CURRENT DRAWING REVISION." THE CURRENT REVISION WILL BE SHOWN IN THE SYMBOL.

12. MATERIALS:
TOP/BOTTOM COVERS: HIGH TEMPERATURE NYLON
HOUSING: HIGH TEMPERATURE NYLON
JUMPER: HIGH TEMPERATURE NYLON - COLOR: RED
STRAIN RELIEF: HIGH TEMPERATURE NYLON
LOCKING SPRING: HIGH TEMPERATURE NYLON
TERMINAL CRIMP: Cu ALLOY
TERMINAL BLADES: Cu ALLOY
CONDUCTOR: STRANDED COPPER

4. ALL CABLE ASSEMBLIES SHALL BE TESTED 100% FOR CONTINUITY AS DEFINED IN WIRING LIST.

5. UNLESS OTHERWISE SPECIFIED ALL CABLE ASSEMBLIES SHALL BE 100% HI-POT TESTED BY APPLYING 300V DC FOR MINIMUM OF 10ms, UNLESS ACTIVE COMPONENTS ARE USED IN THIS ASSEMBLY.

6. OTHER TESTING PERFORMED AS REQUIRED BY PRODUCT SPECIFICATION: GS-12-1246.

7. THIS DIMENSION IS A FINISHED PRODUCT LENGTH.

8. LEAD FREE PRODUCTS MEET EUROPEAN UNION DIRECTIVES AND OTHER COUNTRY REGULATIONS AS DESCRIBED IN GS-22-008.

9. ASSEMBLY SHOWN IS FOR REFERENCE ONLY AND MAY NOT SHOW ALL PART DETAIL. REFERENCE CONNECTOR ASSEMBLY DRAWINGS FOR COMPLETE DETAILS.

JUMPER-TABLE 2

ORIENTATION FRONT VIEW	ORIENTATION SIDE VIEW	DEGREE
		270°
		180°
		90°
		0°



Copyright FCI.

spec ref	-	dr	William He	2014-07-25	projection		size	A3	scale	N/A													
tolerance std	TOLERANCES UNLESS OTHERWISE SPECIFIED	eng	William He	2014-07-25	product family	mm	ecn no	-	rel level														
-		chr	Guo-Feng Jin	2014-07-25																			
		appr	Guo-Feng Jin	2014-07-25																			
surface	<table border="1"> <tr><td>linear</td><td>0.X</td><td>± -</td></tr> <tr><td></td><td>0.XX</td><td>± 0.25</td></tr> <tr><td></td><td>0.XXX</td><td>± -</td></tr> <tr><td>angular</td><td>0~</td><td>± -'</td></tr> </table>	linear	0.X	± -		0.XX	± 0.25		0.XXX	± -	angular	0~	± -'			title	TWINBLADE CABLE WITH SENSE PIN AND LATCH FOR PROMOTION		dwg no	10129819-4AA0006LF		rev	A
linear	0.X	± -																					
	0.XX	± 0.25																					
	0.XXX	± -																					
angular	0~	± -'																					
-		www.fci.com	cat. no.	-	Customer Drawing		sheet 2 of 2																