



2 Port 95W per Port Power over Ethernet Midspan Mega PoE Midspan



Features

- Fully Compliant Detection, Disconnect and Voltage Control IEEE802.3af
- Proprietary Detection, Disconnect and Overload Protection
- Full Protection OCP, OVP
- Kit available for mounting in a 19" Rack
- Limited Power Source
- Gigabit Compatible
- Diagnostic LEDs
- SNMP Management
- Full Power at 95W per port
- 1 Year Warranty

Applications

- LCD Displays
- Wireless Access Points
- Emergency Lights
- Magnetic Locks
- Computer Stations
- Kiosks
- Outdoor Security Cameras
- Medical Monitoring

Safety Approvals

- cUL/UL
- CE

Mechanical Characteristics

- Length: 224.9mm (8.85in)
- Width: 200mm (7.87in)
- Height: 48.5 mm (1.91in)
- Weight: 1.59Kg (3.5lbs)

Output Specifications

Model	Number of Ports
POE240U-2MPN	2

Optional 19" Rack mounting adapter to mount 1 POE240U or 2 side by side; order P/N POE125U-ACCY01

Phihong is not responsible for any error, and reserves the right to make changes without notice. Please visit our website at www.phihong.com for the most up-to-date specifications and contact information.

INPUT:

AC Input Voltage Range

90 to 264VAC

Input Frequency

47-63Hz

Input Current

5A (RMS) maximum for 90VAC

2.5A (RMS) maximum for 230VAC

Leakage Current

3.5mA maximum at 254VAC 60Hz

AC Inrush Current

30A (RMS) maximum for 115VAC

60A (RMS) maximum for 230VAC

OUTPUT:

Total Output Power

60W per port at 56V+1/-2

Total power on all ports 240W

Ripple and Regulation

250mV maximum

Efficiency

75% (typical) at maximum load, and 120VAC 60Hz

Hold-up Time

10mS min. 120VAC and maximum load

Transient O/P Voltage Protection

60V maximum at switch on and off at any AC line Phase

Turn-On Delay Time

20 sec maximum at maximum load, and 120VAC 60Hz, 25Hz

ENVIRONMENTAL:

Temperature

Operation 0 to +40°C

Non-operation -25 to +65°C

Humidity

Operation 5 to 90%

EMC

EN55022 Radiate Class A

EN55022 Conducted Class B

Isolation Test

Primary to Secondary: 4242VDC for 1 minute

Primary to Ground: 2121VDC for 1 minute

Secondary to Ground: 2121VDC for 1 minute

Insulation Resistance

Primary to Secondary: >10M OHM 500VDC

Primary to Field Ground: >10M OHM 500VDC

Immunity EN50082-1

ESD: EN61000-4-2. Level 3

RS: EN61000-4-3. Level 2

EFT: EN61000-4-4. Level 2

Surge: EN61000-4-5. Level 3

CS: EN61000-4-6. Level 2

Voltage Dips EN61000-4-11

Harmonic: EN61000-3-2 Class A

IEEE 802.3af Interoperability

If 25kohm is detected the unit operates in “IEEE802.3at mode”
33.6W 2 pair powering. 12.5k detection resistance required for full power

UNH Interoperability report available on request

FEATURE:

Cisco Legacy detection

No extern parts required for Legacy devices:

VoIP Phones:

7910, 7912, 7940, 7960

Access Points:

350, 1100, 1200, 1250

Over Voltage/Current, Short Circuit Protection

Outputs equipped with short circuit protection and overload protection as per 802.3af specifications except for maximum average current is 1.69A

The output can be shorted permanently without damage

Over Temperature Protection

Automatic Shutdown without damage

Indicators

Green LED: Power detected “CONNECT” at 60W

Flashing GREEN: IEEE802.3at detected “CONNECT” at 30W

Yellow LED: Fault detected

Input Connector

AC Input IEC320 3 pin

Output Connection

4-pair powering for full power

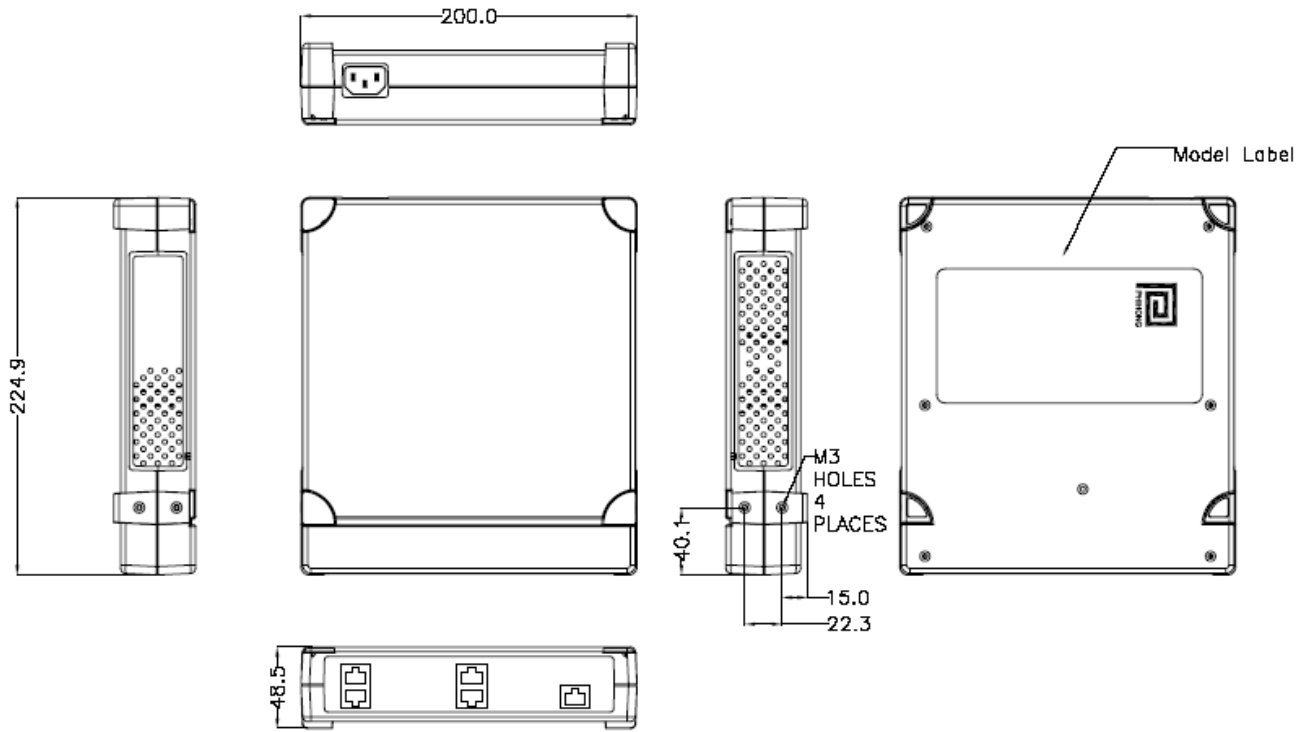
Pins 3,6, 4,5(+) Pins 1,2, 7,8 (-)

2-pair powering for IEEE802.3at mode

Pins 3,6(+) Pins 1,2 (-)

Warranty

1 Year



Façade Display Showing Optional Rack Mounting

