

# Power Distribution & Terminal Blocks

## Power Distribution Blocks

600Vac/dc

**PDB**



**Catalog Symbol:** Power Distribution Blocks

**Voltage Rating:** 600 Vac/dc maximum

**SCCR:** 10kA (except for select products noted)

**Agency Information:**

UL Recognized, Guide XCFR2, File E221592

CSA Certified, Class 6228-01, File 15364

**Example:** A 3-pole, 16023 series is 16023-3. The **line** side of the device has (1) conductor opening per pole that accepts 350kcmil - #6 CU/AL. The **load** side of the device has (6) conductor openings per pole that each accepts #4 - #14 CU or #4 - #12 AL.

### Power Distribution Blocks (600V) Catalog Data

Catalog Number	Connection				Load	Connector Material and Ampacity	UL	CSA
	1-Pole	2-Pole	3-Pole	4-Pole				
16021	NA	-2	-3	-4	2/0 - #14CU, 2/0 - #8AL	(6) #4 - #14CU, #4 - #8AL	•	•
16023	NA	-2	-3	-4	350kcmil - #6CU-AL	(6) #4 - #14CU, #4 - #12AL	•	•
16220*	-1	-2	-3	NA	2/0 - #14CU, 2/0 - #8AL	(4) #4 - #14CU, #4 - #8AL	•	•
16321*	-1	-2	-3	NA	2/0 - #14CU, 2/0 - #8AL	(6) #4 - #14CU, #4 - #8AL	•	•
16323*	-1	-2	-3	NA	350kcmil - #6CU-AL	(6) #4 - #14CU, #4 - #12AL	•	•
16325	-1	-2	-3	NA	(2) 2/0 - #14CU, 2/0 - #8AL	(6) #4 - #14CU, #4 - #8AL	•	•
16330	-1	-2	-3	NA	500kcmil - #6CU-AL	(6) #2 - #14CU, #2 - #12AL	•	•
16332	-1	-2	-3	NA	350kcmil - #6CU-AL	(3) #2 - #14CU, #2 - #8AL (2) 1/0 - #14CU, 1/0 - #8AL	•	•
16335	-1	-2	-3	NA	500kcmil - #6CU-AL	(3) #2 - #14 CU, #2 - #8AL (2) 1/0 - #14CU, 1/0 - #8AL	•	•
16370*	-1	-2	-3	NA	350kcmil - #6CU-AL	(12) #4 - #14CU, #4 - #12AL	•	•
16371*	-1	-2	-3	NA	350kcmil - #6CU-AL	(6) #2 - #14CU, #2 - #8AL (3) 1/0 - #14CU, 1/0 - #8AL	•	•
16372	-1	-2	-3	NA	350kcmil - #6CU-AL	(21) #10 - #14CU, #10AL	•	•
16373	-1	-2	-3	NA	350kcmil - #6CU-AL	(3) 1/0 - #14CU-AL (14) #10 - #14CU, #10AL	•	•
16375	-1	-2	-3	NA	600kcmil - #2CU-AL	(12) #4 - #14CU, #4 - #12AL	•	•
16376	-1	-2	-3	NA	600kcmil - #2CU-AL	(6) #2 - #14CU, #2 - 8AL (3) 1/0 - #14CU, 1/0 - #8AL	•	•
16377	-1	-2	-3	NA	(2)300kcmil - #4CU-AL	(12) #4 - #14CU, #4 - #12AL	•	•
16528	-1	-2	-3	NA	(2) 600kcmil - #2CU-AL	(4) 3/0 - #6CU-AL (4) #4 - #14CU-AL	•	•
16530	-1	-2	-3	NA	(2) 500kcmil - #6CU-AL	(12) #4 - #14CU-AL	•	•
16541	-1	-2	-3	NA	500kcmil - #6CU-AL	(21) #6 - #14CU-AL	•	•

\*SCCR up to 200kA. See additional information on data sheet #1049.

**How To Order:** Catalog Number + # of Poles

**Example:** 16021-3 (complete part number)

Dimensional information on page 3

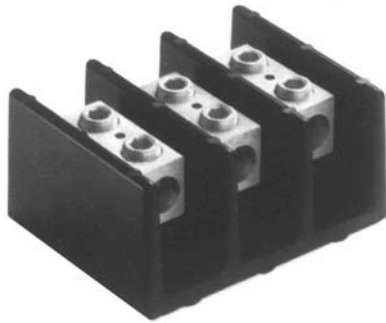
**Optional covers:**

- 160 Series: CPB160 - (pole)
- 162 Series: CPB162 - (pole)
- 163 Series: CPDB - (pole)
- 165 Series: CPDB165 (1 for each pole)

# Power Distribution & Terminal Blocks

## Splicer Terminal Blocks

### 600Vac/dc



**Catalog Symbol:** Splicer Terminal Blocks

**Voltage Rating:** 600Vac/dc maximum

**SCCR:** 10kA (except for select products noted)

**Agency Information:**

UL Recognized, Guide XCFR2, File E221592

CSA Certified, Class 6228-01, File 15364

Picture shown:

3-Pole - 1 opening on line per phase

1 opening on load per phase

**Power Distribution Blocks (600V) Catalog Data**

Catalog Number	1-Pole	2-Pole	3-Pole	4-Pole	Connection		Connector Material and Ampacity	UL	CSA
					Line	Load			
16000	NA	-2	-3	-4	2/0 - #8CU-AL	2/0 - #8CU-AL	AL-175A	•	—
16003	NA	-2	-3	-4	250kcmil - #6CU Only	250kcmil - #6CU Only	CU-255A	•	—
16005	NA	-2	-3	-4	350kcmil - #6CU-AL	350kcmil - #6CU-AL	AL-310A	•	—
16200	-1	-2	-3	NA	#2 - #14CU, #2 - #8AL	#2 - #14CU, #2 - #8AL	AL-115A	•	—
16201	-1	-2	-3	NA	1/0 - #14CU Only	1/0 - #14CU Only	CU-150A	•	—
16204*	-1	-2	-3	NA	2/0 - #8CU-AL	2/0 - #8CU-AL	AL-175A	•	—
16301	-1	-2	-3	NA	250kcmil - #6CU Only	250kcmil - #6CU Only	CU-255A	•	•
16303	-1	-2	-3	NA	350kcmil - #6CU-AL	350kcmil - #6CU-AL	AL-310A	•	•
16306	-1	-2	-3	NA	(1)500kcmil - #6CU-AL	(1)500kcmil - #6CU-AL	AL-380A	•	•
16500	-1	-2	-3	NA	(2) 350kcmil - #4CU-AL	(2) 350kcmil - #4CU-AL	AL-620A	•	•
16504	-1	-2	-3	NA	(2) 500kcmil - #6CU-AL	(2) 500kcmil - #6CU-AL	AL-760A	•	•

\*SCCR up to 200kA. See additional information on data sheet #1049.  
Dimensional information on page 3

**Optional covers:**

- 160 Series: CPB160 - (pole)
- 162 Series: CPB162 - (pole)
- 163 Series: CPDB - (pole)
- 165 Series: CPDB165 (1 for each pole)

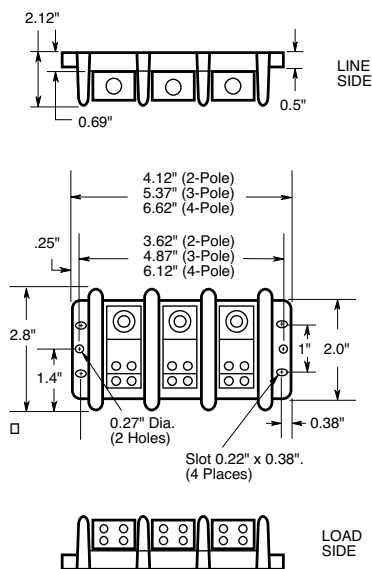
# Power Distribution & Terminal Blocks

## Connector-Stud and Stud-Stud Blocks

### 600Vac/dc



**Series 160 (Available 2, 3, and 4 pole)**  
**Dimensional Data**



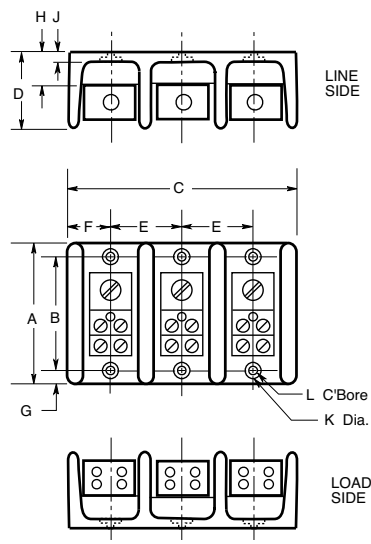
160 Series Bases have mounting holes outside the barriers. Other bases (162 through 165) have mounting holes within barriers—see dimensional drawings.

**Catalog Symbol:** Connector–Stud Block  
**Voltage Rating:** 600Vac/dc maximum  
**SCCR:** 10kA (except for select products noted)

**Agency Information:**

UL Recognized, Guide XCFR2, File E221592  
CSA Certified, Class 6228-01, File 15364

**Series 162, 163, and 165 Dimensional Data**  
**(Available 1, 2, and 3 pole)**



**Dimensions for Series 162, 163, and 165**

Cat. No.	A	B	C1	C2	C3	D	E	F	G	H	J	K	L
162	2.88	2.25	1.07	1.88	2.70	1.75	0.81	0.53	0.31	0.84	0.31	0.20	0.41
163	4.0	3.38	1.98	3.60	5.21	3.32	1.62	0.99	0.31	0.87	0.35	Slot .20" wide x .41" long	Slot .42" wide x .62" long
165	5.5	4.75	3.10"	5.79"	8.48"	2.93"	2.69	1.55"	0.38	1.19"	.44"	Slot .20" wide x .33" long	Slot .41" wide x .53" long

**Connector-Stud Blocks (600V) Catalog Data**

Catalog Number	1-Pole	2-Pole	3-Pole	Connection		Connector Material and Ampacity	UL	CSA
				Line	Load			
<b>Connector – Stud</b>								
16280*	-1	-2	-3	2/0 - #14CU-AL	¼ - 20 x ¾ Stud	AL-175A	•	—
16281	-1	-2	-3	2/0 - #14CU-AL	¼ - 20 Tapped hole	AL-175A	•	—
16378	-1	-2	-3	500kcmil - #6CU-AL	(2) ¼ - 20 x 1 Stud	AL-380A	•	•
16383	-1	-2	-3	500kcmil - #6CU-AL	(1) ⅜ - 16 x 1 Stud	AL-380A	•	•
16582	-1	-2	-3	(2) 500kcmil - #6CU-AL	(2) ⅜ - 16 x 1½ Stud	AL-760A	•	•
<b>Stud – Stud</b>								
16290	-1	-2	-3	¼ - 20 x ¾ Stud	¼ - 20 x ¾ Stud	CU-150A	•	—
16390	-1	-2	-3	⅜ - 16 x 1⅛ Stud	⅜ - 16 x 1⅛ Stud	CU-250A	•	•
16394	-1	-2	-3	½ - 13 x 1⅛ Stud	½ - 13 x 1⅛ Stud	CU-400A	•	•
16395	-1	-2	-3	⅜ - 16 x 1⅛ Stud	(2) ¼ - 20 x ⅞ Stud	CU-310A	•	•
16591	-1	-2	-3	⅜ - 16 x 1⅛ Stud	(2) ⅜ - 16 x 1⅛ Stud	CU-400A	•	—
16593	-1	-2	-3	½ - 13 x 1 Stud	½ - 13 x 1 Stud	CU-600A	•	•

\*SCCR up to 200kA

The only controlled copy of this Data Sheet is the electronic read-only version located on the Cooper Bussmann Network Drive. All other copies of this document are by definition uncontrolled. This bulletin is intended to clearly present comprehensive product data and provide technical information that will help the end user with design applications. Cooper Bussmann reserves the right, without notice, to change design or construction of any products and to discontinue or limit distribution of any products. Cooper Bussmann also reserves the right to change or update, without notice, any technical information contained in this bulletin. Once a product has been selected, it should be tested by the user in all possible applications.