

Model

KBI-B02D-RH

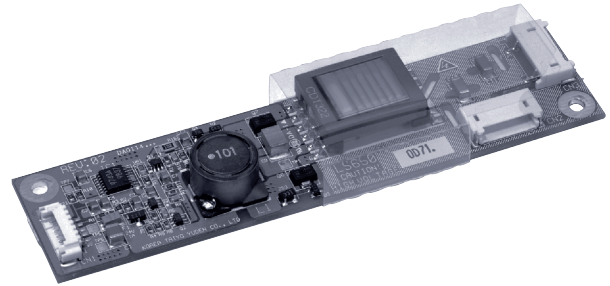
12 Volt Input

Dual Tube CCFT Inverter

Brightness Control

Physical Specifications

Dimensions:	105mm x 25mm x 10mm (4.13" x 0.98" x 0.39")
Operating Temp:	-10 to 70°C, convection cooling
Relative Humidity:	20% to 90%, non-condensing
Storage:	-20 to 85°C/5-95% RH
Impact Resistance:	50G half wave per 2 msec
Vibration Resistance:	10-55-10 Hz/min @ 1.5mm



Input Specifications*

Item	Condition	Standard
Input Voltage Rated Tolerance	— Continuous Operation Starting Condition (Discharge Starting Voltage)	12 Vdc 10.8 V - 13.2 V 10.8 V - 13.2 V
Max. Input Current	$V_{IN} = 12$ Vdc Luminance @ Max.	560 mA Typ.
Max. Input Power	$V_{IN} = 12$ Vdc Luminance @ Max.	6.0 W
DC-Bright	$I_{OUT} = \text{Max}$ $I_{OUT} = \text{Min}$	5 V 0 V

*Above Specifications Occur @ 25 ± 5°C

Output Specifications*

Item	Condition	Standard		
		MIN	TYP	MAX
Output Voltage (Vrms)	$V_{IN} = 12$ Vdc	—	500	—
Starting Voltage (Vrms)	$V_{IN} = 10.8$ Vdc	1450	—	—
Tube Current for per Lamp (mArms)	$V_{IN} = 12$ Vdc	3.0	—	6.0
Output for 2 Lamps (W)	$V_{IN} = 12$ Vdc/Luminance @ Max.	—	6.0	—
Frequency (kHz)	Luminance @ Max.	—	55	—

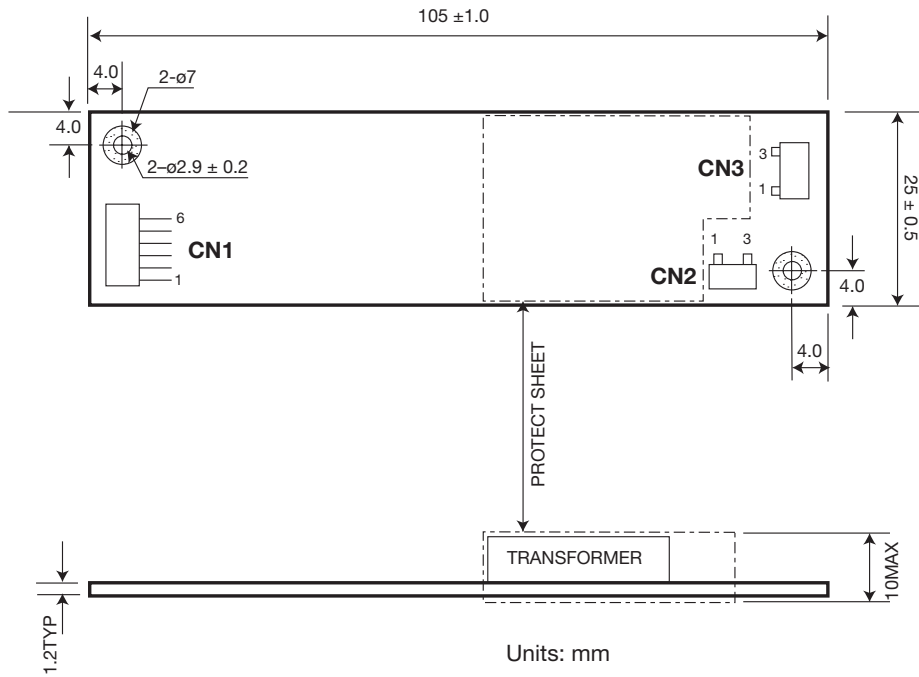
*Above specifications occur @ 25 ± 5°C.

Model

KBI-B02D-RH

Luminance Variance

Item	Condition	Applied Voltage	Output Current
Luminance @ Max.		Vcont = 5 V	6 mA (one lamp)
Luminance @ Min.		Vcont = 0 V	3 mA (one lamp)



Units: mm

© Copyright 2009 TAIYO YUDEN (U.S.A.), INC. Specifications subject to change without notice.

TAIYO YUDEN

TAIYO YUDEN (U.S.A.), INC.
440 Stevens Avenue, Suite 300 Solana Beach, CA 92075
(858) 350-6800 / Fax: (858) 350-6854
(800) 263-4532 www.t-yuden.com inverters@t-yuden.com



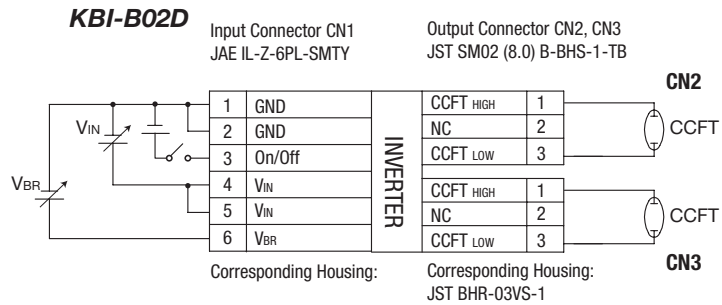
FM 32227

Model

KBI-B02D-RH

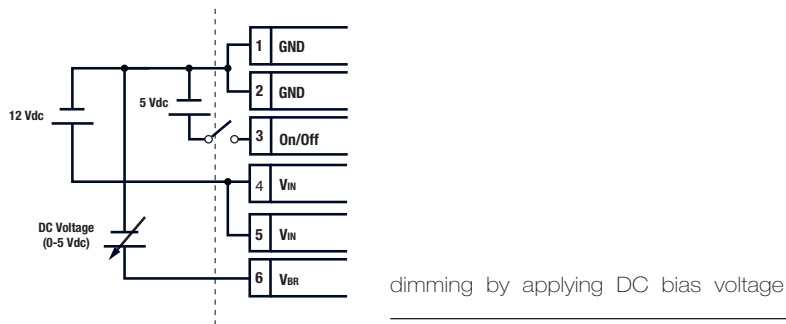
Tech Notes

Connection Diagram



DC Bright Control Method*

Maximum output current can be adjusted by applying bias voltage as shown below.



© Copyright 2009 TAIYO YUDEN (U.S.A.), INC. Specifications subject to change without notice.

TAIYO YUDEN

TAIYO YUDEN (U.S.A.), INC.
440 Stevens Avenue, Suite 300 Solana Beach, CA 92075
(858) 350-6800 / Fax: (858) 350-6854
(800) 263-4532 www.taiyo-yuden.com inverters@taiyo-yuden.com



FM 32227