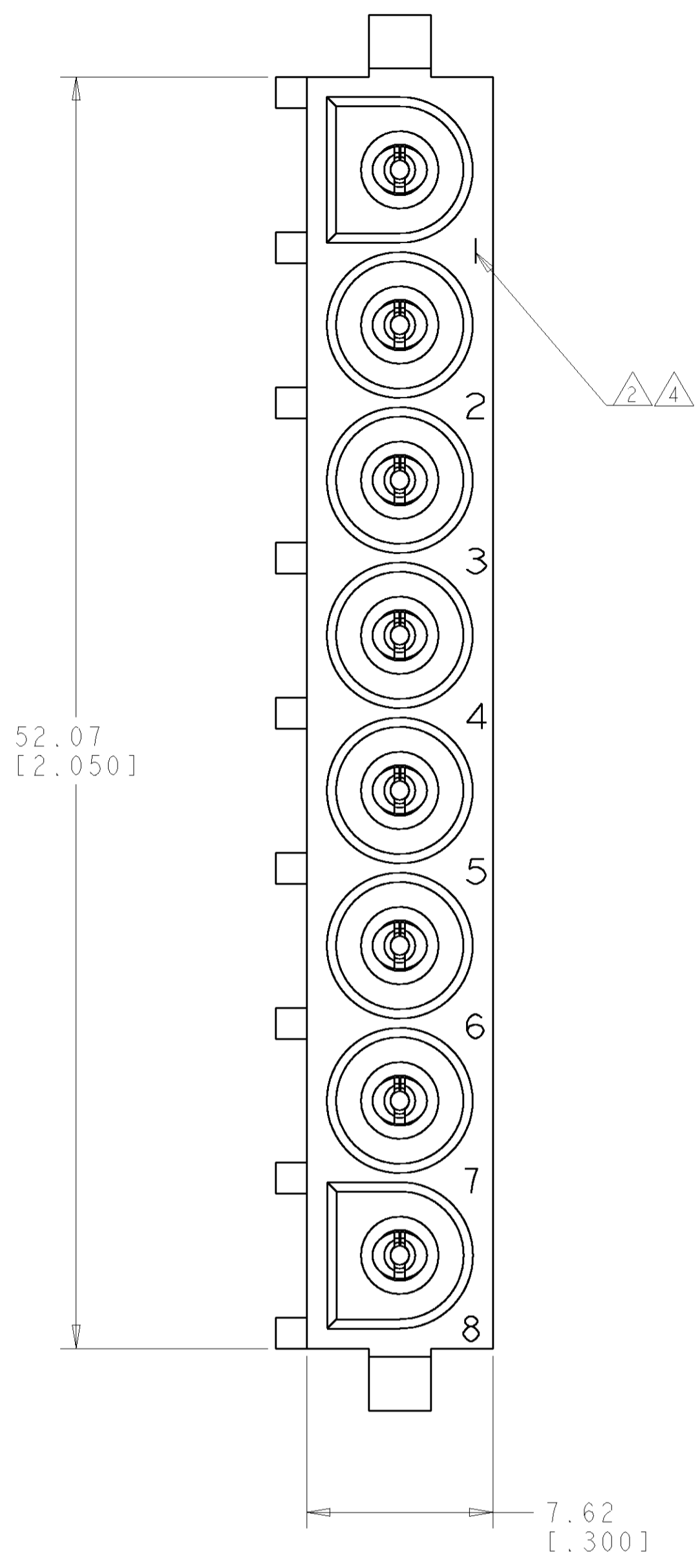
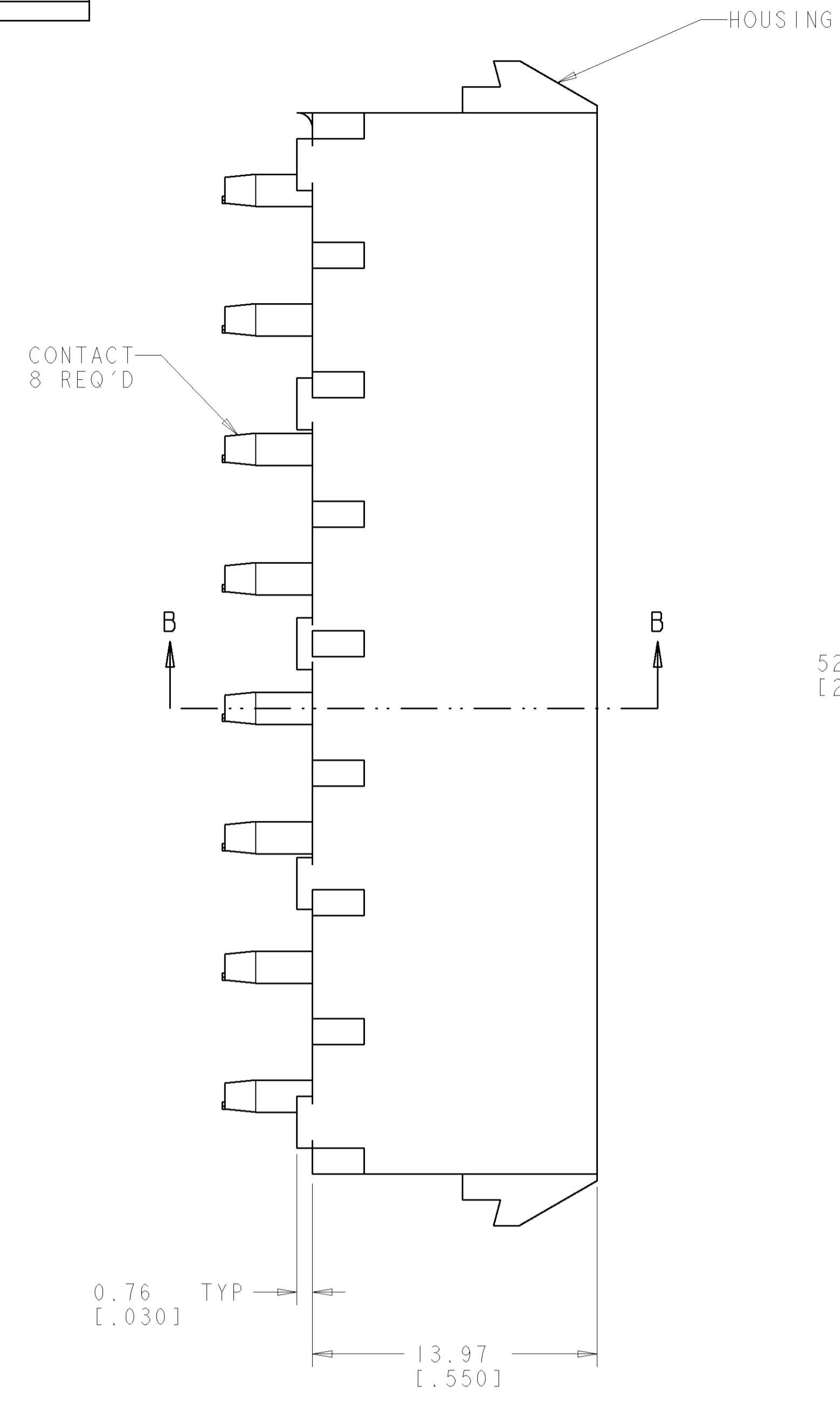
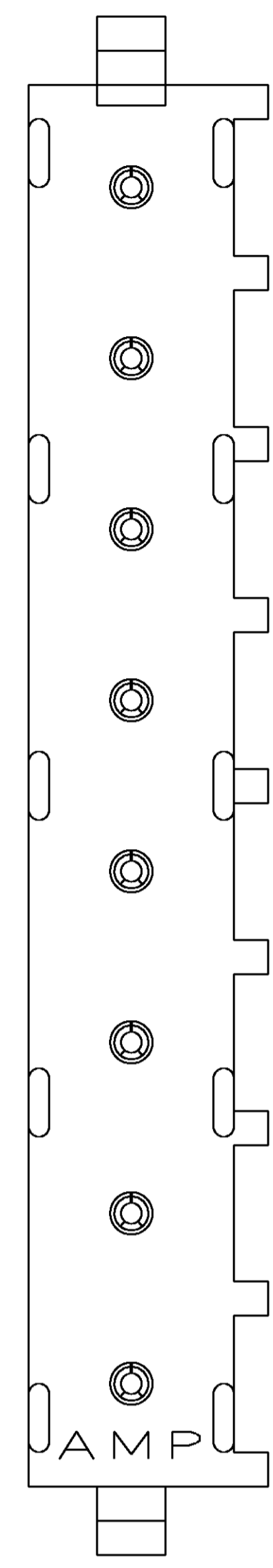
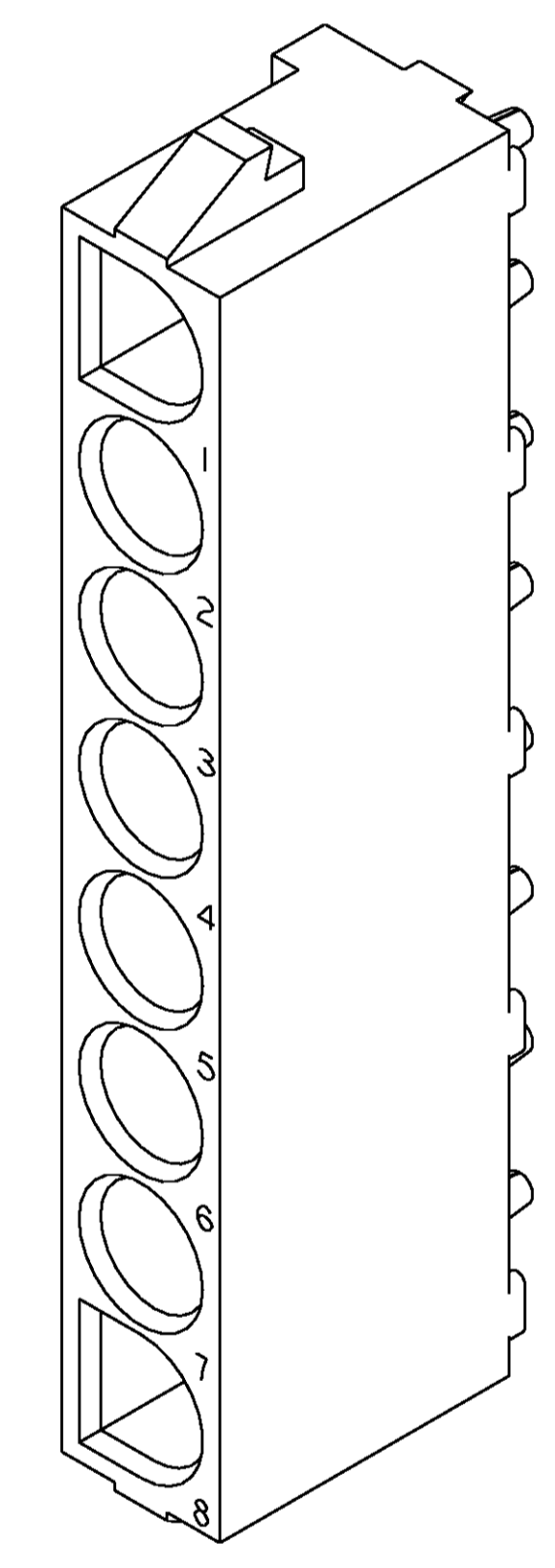


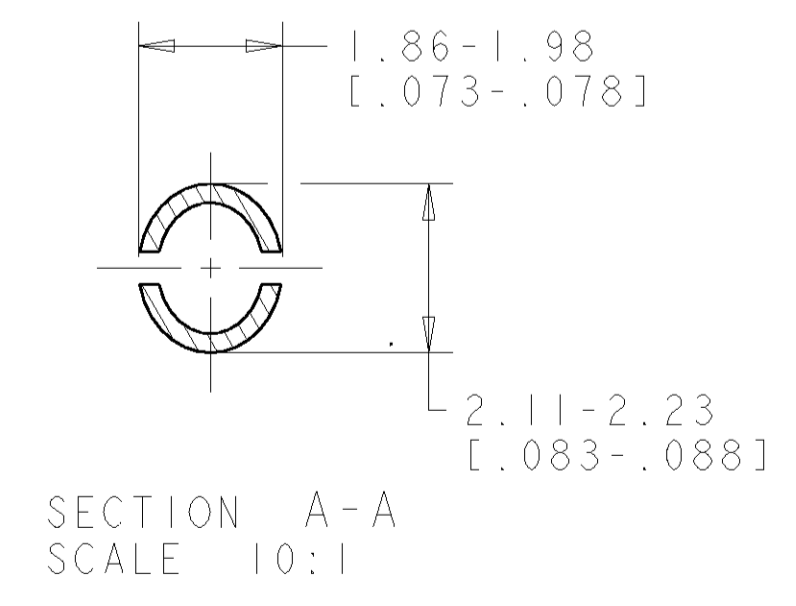
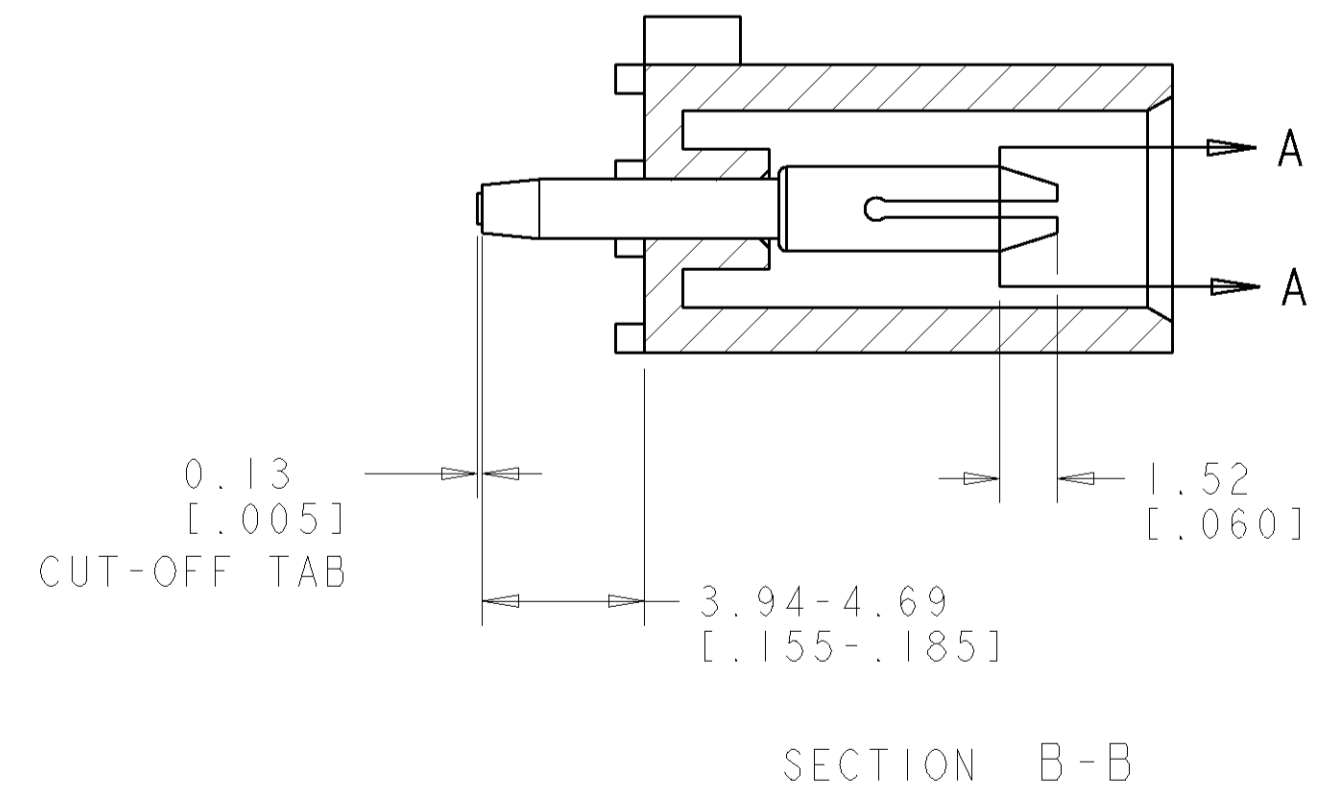
LOC	DIST	REVISIONS					
CM	00	P	LTR	DESCRIPTION	DATE	DWN	APVD
		0		REVISED PER 0638-0087-04	20MAY04	KW	SR



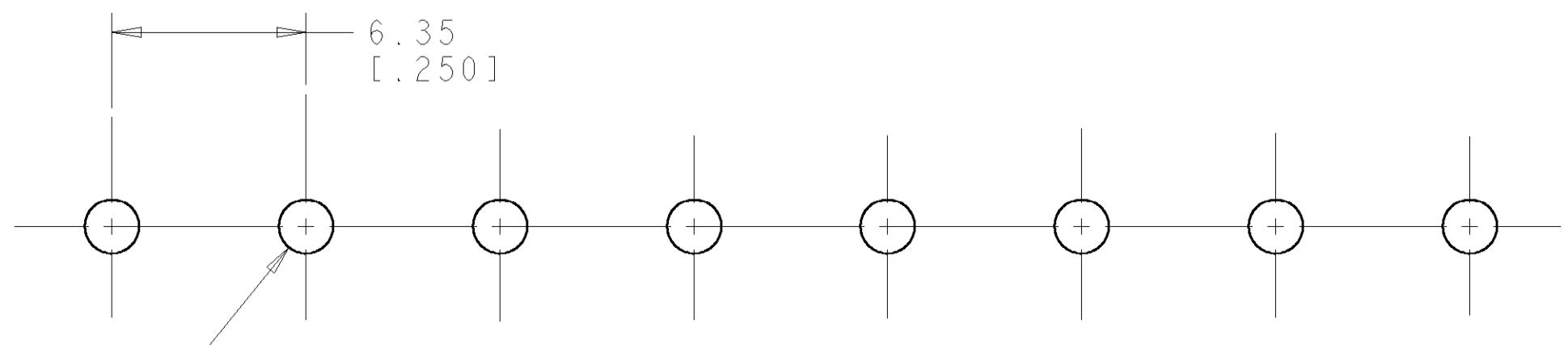
- PARTS COMPLY TO AMP SOLDERABILITY SPECIFICATION 109-11-3.
- CIRCUIT IDENTIFICATION CHARACTERS ARE ADJACENT TO THE INDICATED CAVITIES, BUT LOCATION AND ORIENTATION MAY DIFFER FROM PRINT.
- DIMENSIONS IN BRACKETS ARE IN INCHES.
- IDENTIFICATION WILL APPEAR AT CIRCUIT NO. 1, OTHERS OPTIONAL.



SCALE 4:1



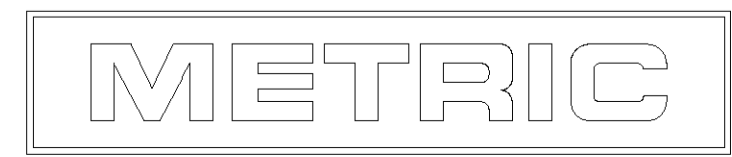
SCALE 10:1



$\varnothing 1.78 \pm 0.07$   
 $[.070 \pm .003]$   
 8 PLC

RECOMMENDED MOUNTING HOLE PATTERN FOR 1.57 [.062] THICK P.C. BOARD

PHOSPOR BRONZE, PRE-TIN PIN CONTACT MATERIAL AND FINISH	NYLON, UL94V-2, NATURAL HOUSING MATERIAL AND COLOR	1586136-1 PART NUMBER
--	---	--------------------------



DIMENSIONS: mm [INCHES] TOLERANCES UNLESS OTHERWISE SPECIFIED: 0 PLC ± 1 PLC ±0.13 (.005) 2 PLC ± 3 PLC ± 4 PLC ± ANGLES 40° 30'		DWN R. WHITAKER 20MAY04 ENR S. RIDGILL 20MAY04 APVD S. RIDGILL 20MAY04 PRODUCT SPEC APPLICATION SPEC WEIGHT FINISH SEE TABLE		Tyco Electronics Harrisburg, PA 17105-3608 NAME PIN HEADER ASSEMBLY, 8 CIRCUIT, NO DRAIN HOLES, UNIVERSAL MATE-N-LOK™ SIZE CAGE CODE DRAWING NO. RESTRICTED TO A1 00779 C=1586136 CUSTOMER DRAWING SCALE 5:1 SHEET 1 OF 1 REV 0	
---	--	--	--	---	--