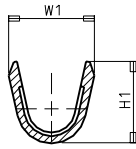
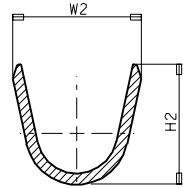


DWG. NO. SD-57919-002  
 PROJECT NO. SIMILAR ITEM  
 DO NOT SCALE DRAWING DIMENSION IN METRIC  
 MX-A3

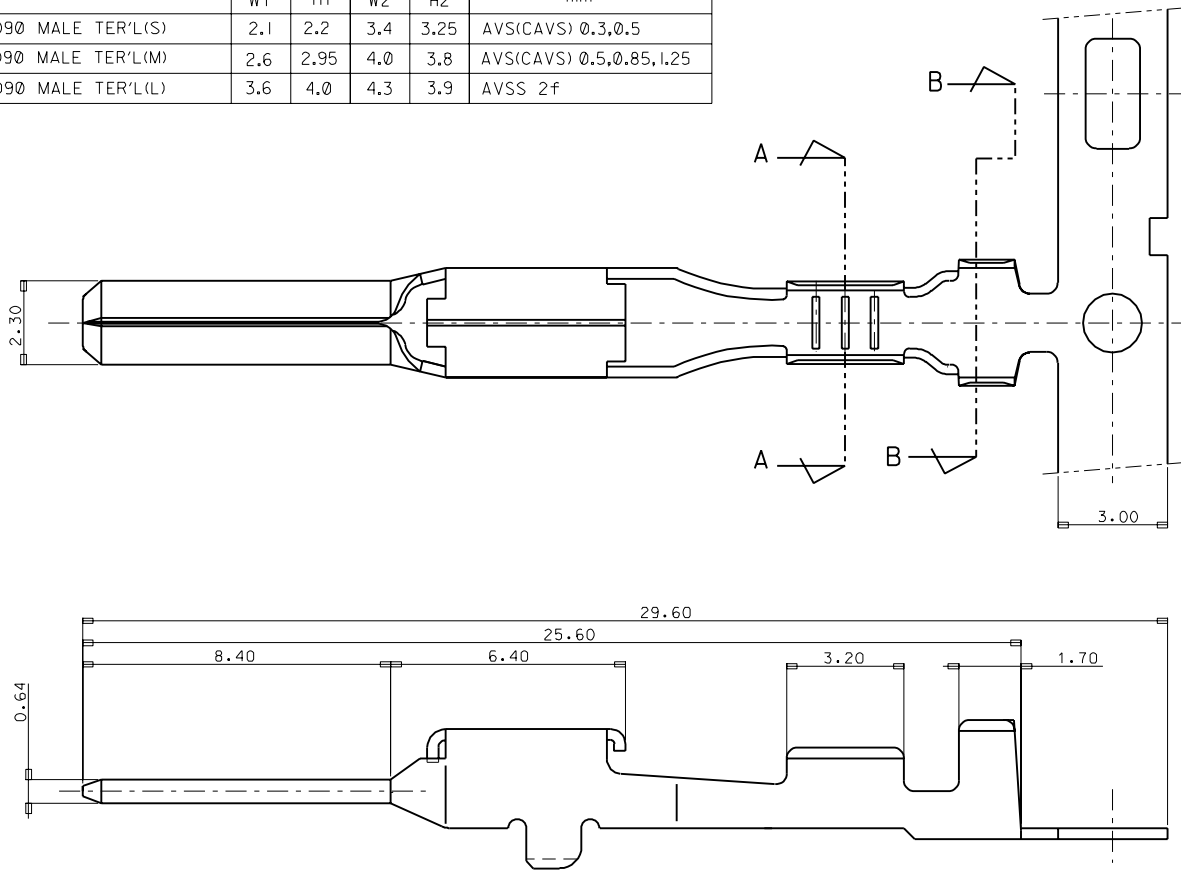
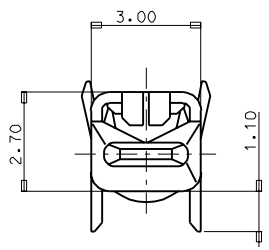
ENG.NO	MATERIAL NO.	DESCRIPTION	DIMENSION				WIRE RANGE mm <sup>2</sup>
			W1	H1	W2	H2	
57919-6702	579196702	.090 MALE TER'L(S)	2.1	2.2	3.4	3.25	AVS(CAVS) 0.3,0.5
57919-6802	579196802	.090 MALE TER'L(M)	2.6	2.95	4.0	3.8	AVS(CAVS) 0.5,0.85,1.25
57919-6902	579196902	.090 MALE TER'L(L)	3.6	4.0	4.3	3.9	AVSS 2f



SECTION A-A



SECTION B-B



NOTE

- MATERIAL: BRASS, + $\pm 0.3 \pm 0.02$
- FINISH: PRE-TIN PLATED

RELEASE TO MANUFACTURING EC NO. DRWN:H.C.RHO 00/07/25 CHK: B.K.CHOI APPR: C.W.LEE	QUALITY SYMBOLS MAJOR = 0 CRITICAL = 0	GENERAL TOLERANCES: (UNLESS SPECIFIED)		SCALE 8:1	DESIGN UNITS <input checked="" type="checkbox"/> mm <input type="checkbox"/> INCH	DIMENSIONS: <input type="checkbox"/> mm <input type="checkbox"/> INCH <input checked="" type="checkbox"/> mm ONLY	SHT REV	
		4 PLACES $\pm 0.$ mm $\pm$ INCH	3 PLACES $\pm 0.$ mm $\pm$ INCH	2 PLACES $\pm 0.30$ mm $\pm$ INCH	1 PLACE $\pm 0.30$ mm $\pm$ INCH	DRAWN BY & DATE H.C.RHO 00/07/25		TITLE: .090 MALE TERMINAL
		CHECKED BY & DATE B.K.CHOI 00/07/25				APPROVED BY & DATE C.W.LEE 00/07/25		
		ANGULAR: $\pm 1.0^\circ$				CAD FILENAME		
DRAFT WHERE APPLICABLE MUST REMAIN WITHIN DIMENSIONS				THIS DRAWING CONTAINS INFORMATION THAT IS PROPRIETARY TO MOLEX INCORPORATED AND SHOULD NOT BE USED WITHOUT WRITTEN PERMISSION.				
REV A	DESCRIPTION	MOLEX INCORPORATED KOREA		MATERIAL NO. SEETABLE	DRAWING NO. SD-57919-002	SHEET NO. 10F1	SIZE B	