



PART NAME

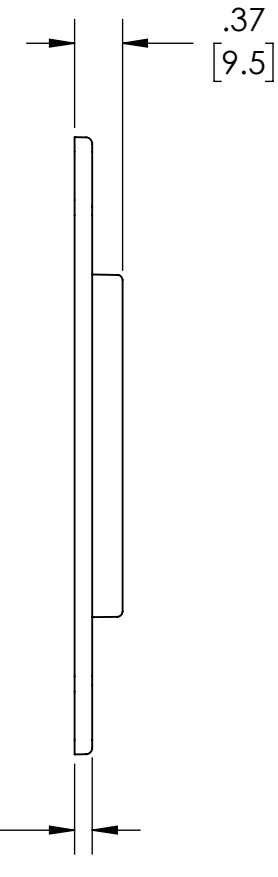
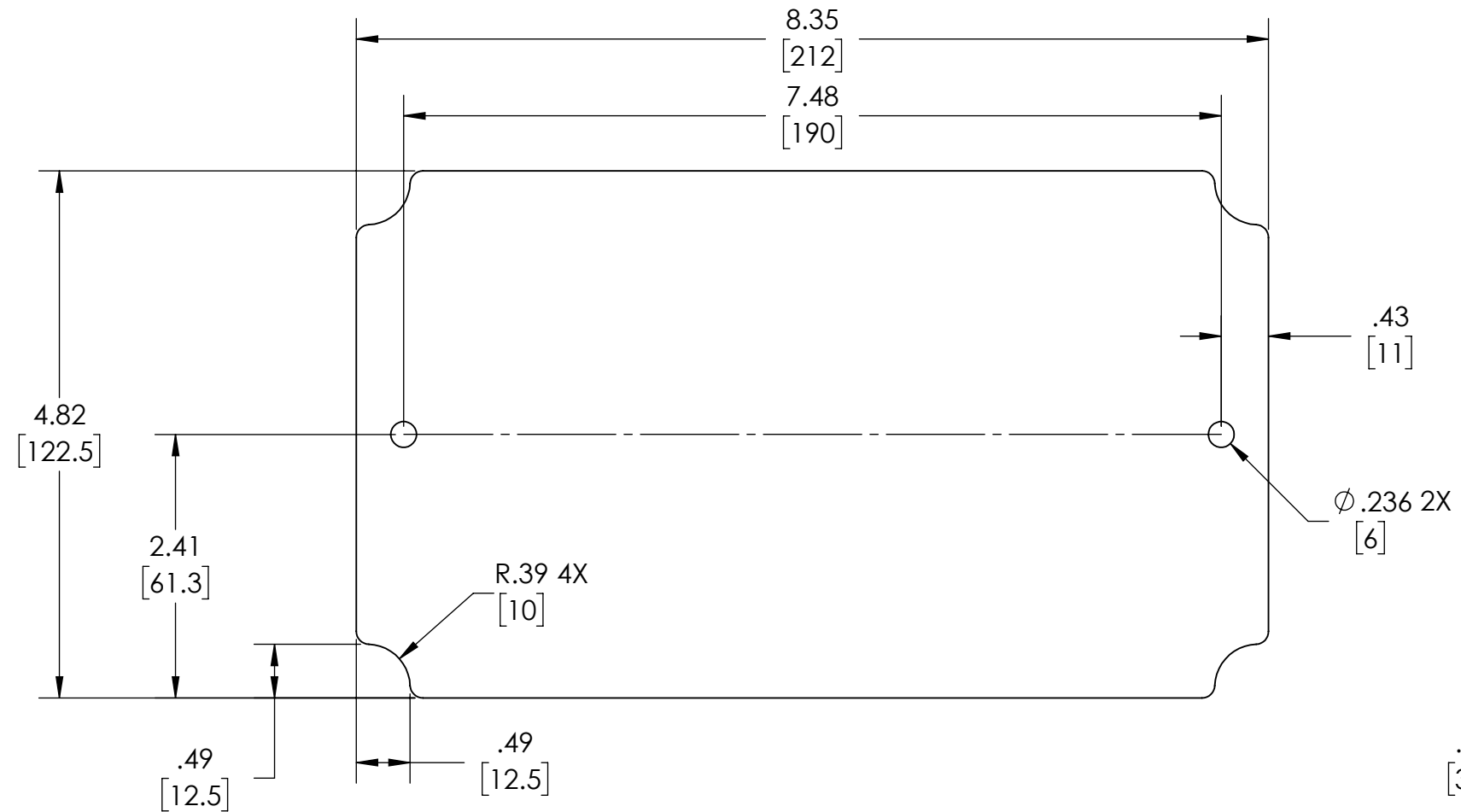
PTH MOUNTING PLATE (PLASTIC)

PART No.

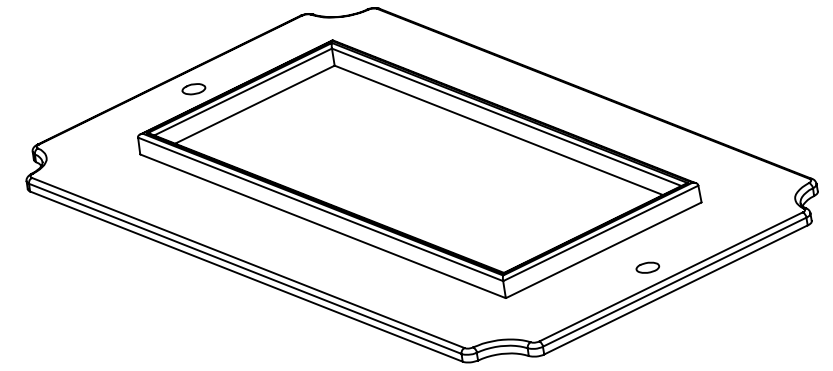
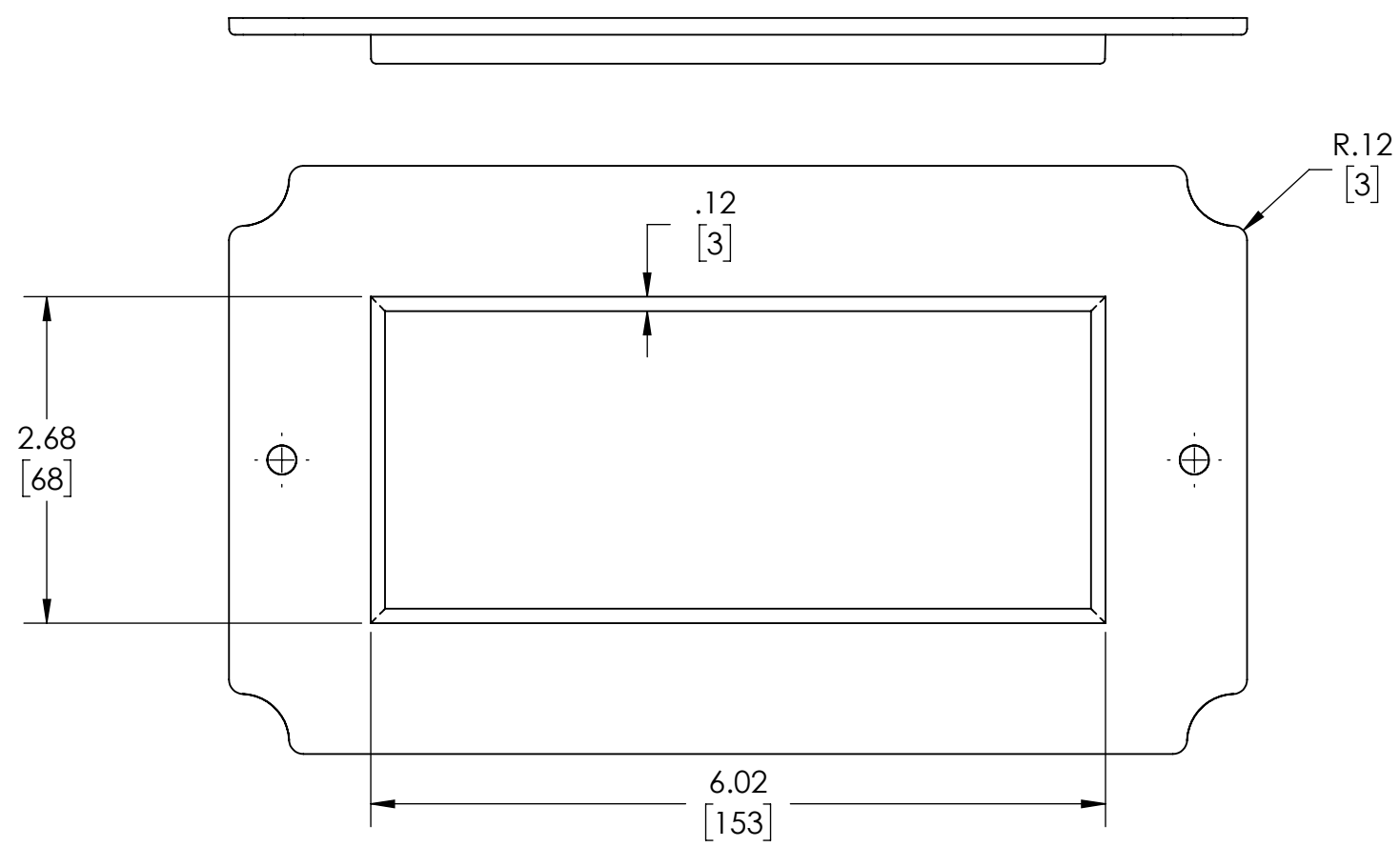
PTX-22492-P

REVISION DATE

10-20-17



DRAWING FOR REFERENCE
 WE RESERVE THE RIGHT TO MAKE CHANGES TO OUR
 STANDARD PRODUCTS. PLEASE CONSULT WITH BUD INDUSTRIES
 PRIOR TO USING THIS DRAWING FOR DESIGN PURPOSE.



MATERIAL - ABS PLASTIC
 FINISH - LIGHT GRAY
 DIMENSIONS IN INCH[MM]
 PANEL FITS THE FOLLOWING ENCLOSURES:
 PTH-22492 & PTH-22492-C