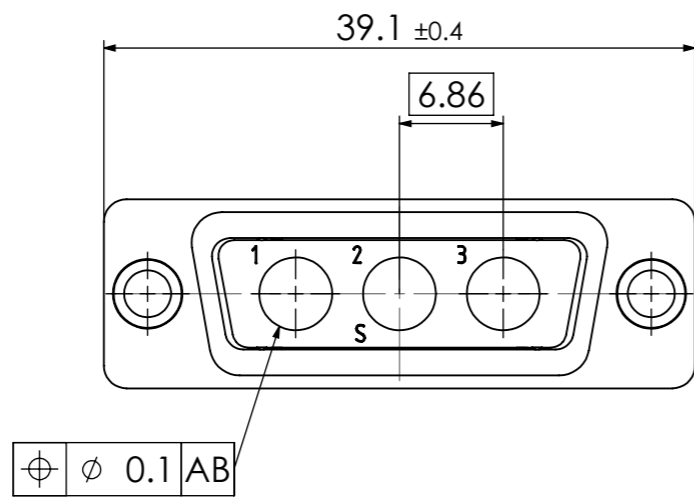
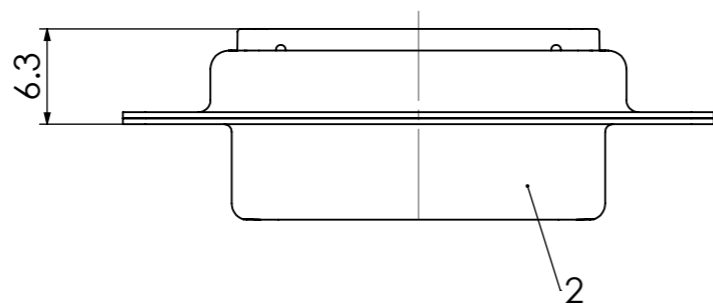
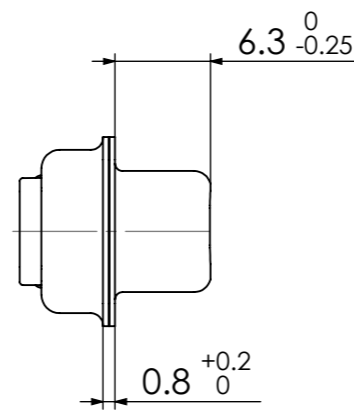
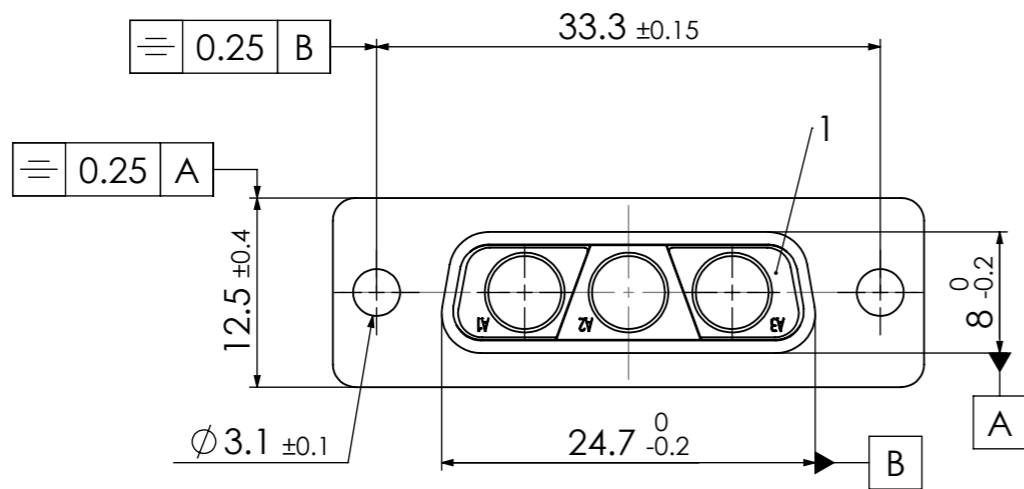


COMMENT:
 ALL RIGHTS ARE RESERVED BY US FOR THIS DRAWING. WITHOUT OUR PRIOR CONSENT,
 IT MAY NEITHER BE DUPLICATED NOR MADE AVAILABLE TO A THIRD PARTY.
 AND IT ALSO MAY NOT BE IMPROPERLY USED BY THE RECEIVER, OR A THIRD PARTY.



RoHS compliant

2	1	Shell	Steel	tin plated
1	1	Insulator	PBT (-55°C - +130°C)	black
No.	St.	Part	Type Description/Material	Surface plating/Colour/Class



Measurement without tolerance occ. to ISO 2768-m

SCALE 2:1

TITLE

D-Sub Mixed-Layout Connector

NAME / DATE
 DRAWN Denzinger 24-03-2003
 CHECKED Floßmann 24-03-2003



DWG.NO.

F3W3SC-K121

REV.

1

1	REV.	DATE	CH.-NO.	ORIGINAL: DIN A3-DRAWING AS A FILE	REPLACEMENT FOR:	F2W2SC-K121 a	PAGES 1
---	------	------	---------	------------------------------------	------------------	---------------	---------