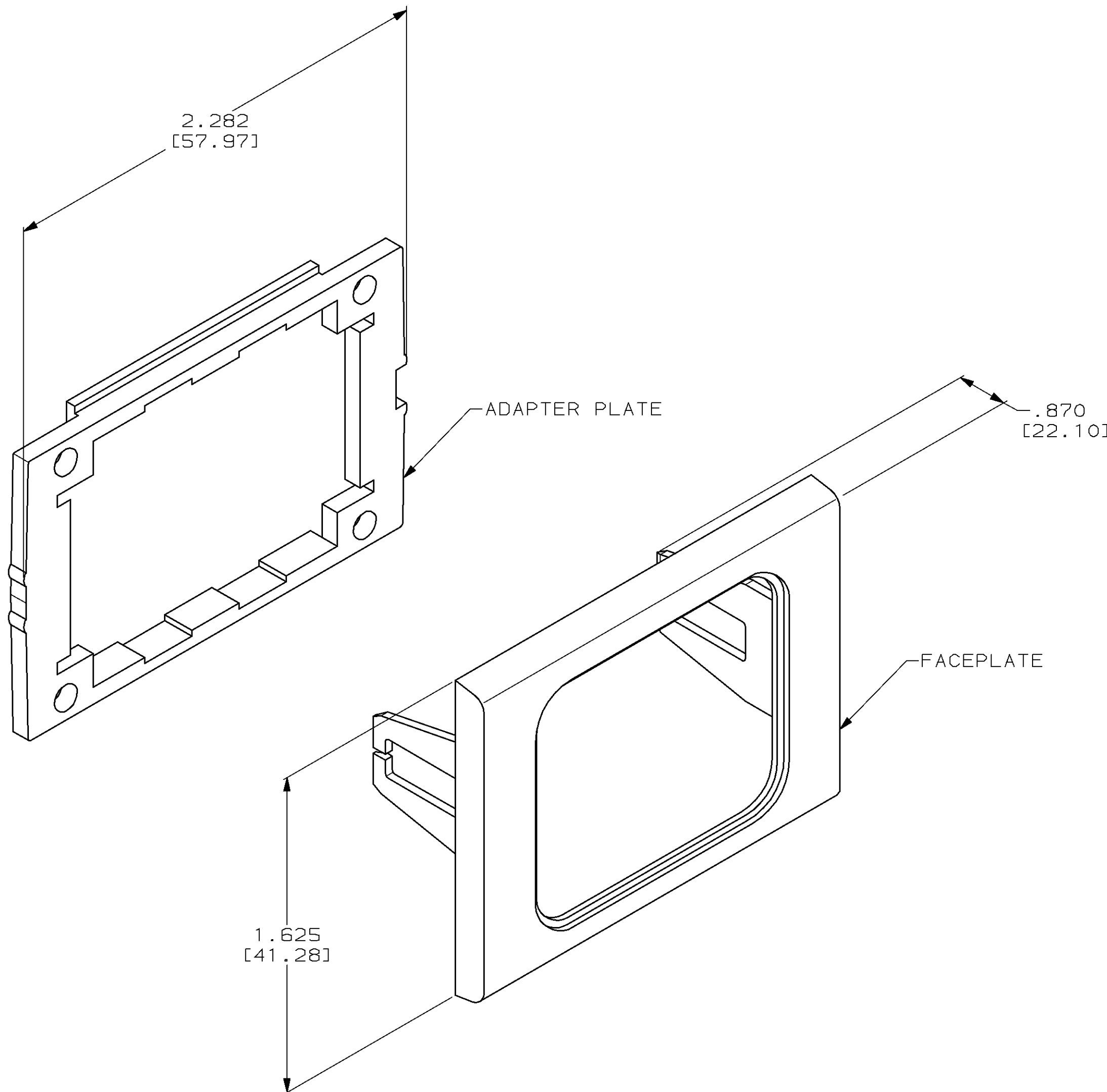


LOC		DIST		REVISIONS				
AA	28	P	F	ZONE	LTR	DESCRIPTION	DATE	APPD
				A		OBS: -2, -3; EC 0502-0269-96	22MAY97	05 AD



1. DIMENSIONS ARE MAXIMUM UNLESS OTHERWISE SPECIFIED.
2. DIMENSIONS IN BRACKETS [] ARE IN MILLIMETERS.
3. DESCRIPTION: INSERT KIT CONSISTS OF THE AMP COMMUNICATIONS OUTLET (ACO) FACEPLATE AND AN ADAPTER PLATE. THE CONNECTOR HOUSING AND CONNECTOR INSERTS ARE PURCHASED SEPARATELY. IT MATES EITHER TWISTED PAIR OR IBM TYPE WIRING.
4. MATERIAL: ABS MOLDING COMPOUND. 94V-0 RATED, SEE TABLE FOR COLOR.
5. FEATURES:
 - A) TOOLLESS WIRE TERMINATION.
 - B) RELIABLE GOLD-TO-GOLD CONTACT SYSTEM.
 - C) ACCEPTS UP TO 8 CONDUCTORS PER PORT.
 - D) COMPATIBLE WITH INDUSTRY STANDARD MOUNTING HARDWARE.
 - E) QUICK INSTALLATION.
 - F) EXPANDABLE AND ADAPTABLE TO FUTURE NEEDS.
6. APPROVALS: N/A
7. ELECTRICAL PARAMETERS: N/A
8. PACKAGING: AN ACO FACEPLATE AND AN ADAPTER PLATE ARE PACKAGED UNASSEMBLED IN A PRINTED POLYBAG.
9. MOUNTING: THE INSERT KIT SNAPS INTO THE SURFACE MOUNT OUTLET.
10. SHIPPING WEIGHT: 0.02 POUNDS PER KIT.

WAS 91-1800-14

557364

LIGHT ALMOND	557364-1
COLOR	PART NO

DO NOT SCALE PRINT. UNLESS SPECIFIED DIMENSIONS IN INCHES [mm] TOLERANCES ON : 2 PLC DEC ± 3 PLC DEC ± ANGLES ±	DR 5-21-92 M. MAYBERRY/UTA	AMP Incorporated Harrisburg, PA 17105-3608	
	CHK 6-16-92 D. HUSSEY		
MATERIAL	APPD 6-16-92 S. PUCKETT	NAME	
	APPD 6-16-92 M. MILLER	INSERT KIT, ACO FACEPLATE AND ADAPTER, SURFACE MOUNT OUTLET	
FINISH	PRODUCT SPEC	SIZE	CAGE CODE
-	-	③	00779
FINISH	APPLICATION SPEC	SCALE	DRAWING NO
-	-	2:1	557364
WEIGHT	-		SHEET
			1 OF 1

CAD DRAWINGS
 THIS DRAWING WAS CREATED ON A COMPUTER AIDED DESIGN (CAD) SYSTEM. TO INSURE THE INTEGRITY OF THE DATA BASE ALL CHANGES/REVISIONS MUST BE MADE ON THE CAD SYSTEM.