

4

3

2

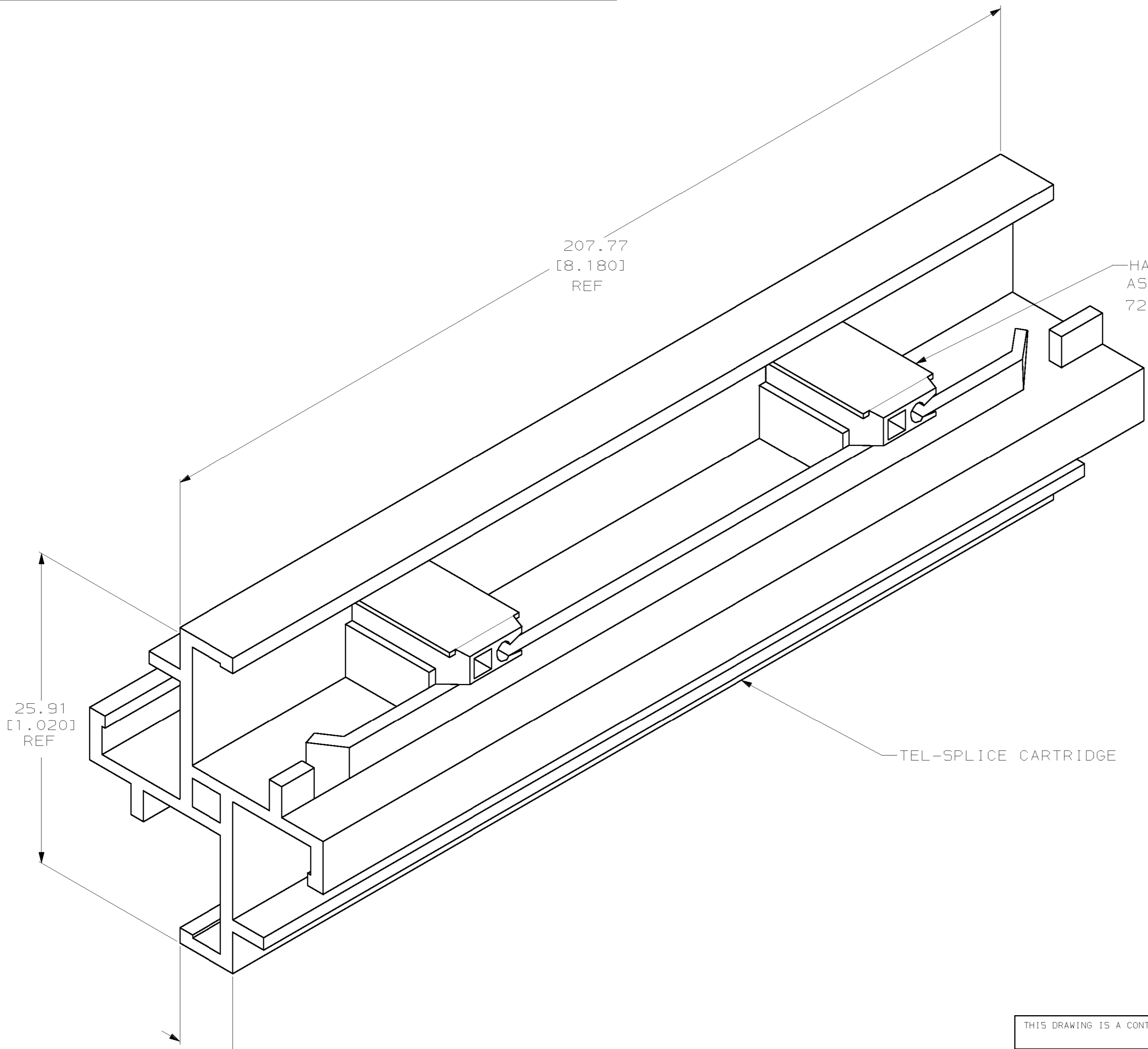
1

THIS DRAWING IS UNPUBLISHED. RELEASED FOR PUBLICATION .19
 (C) COPYRIGHT 19 BY AMP INCORPORATED. ALL RIGHTS RESERVED.

LOC	DIST	REVISIONS					
		P	LTR	DESCRIPTION	DATE	DWN	APVD
AA	24		E	REVISED PER 0G3A-0092-99	09NOV99	MF	PD

- 1 MATERIAL: CARTRIDGE-RIGED PVC (NATURAL).
STANDARD TEL-SPLICE HOUSING-POLYPROPYLENE (LIGHT BLUE).
FLAME RETARDANT TEL-SPLICE HOUSING-POLYCARBONATE (CLEAR).
- 2. WIRE RANGE; 19-26 AWG SOLID COPPER CONDUCTORS.

3 TEL-SPLICE ASSEMBLIES WITHOUT SEALANT (UNFILLED) SHALL BE YELLOW.



25.91
[1.020]
REF

207.77
[8.180]
REF

HALF-TAP TEL-SPLICE
ASSEMBLY
72 REQUIRED

TEL-SPLICE CARTRIDGE

4.06
[0.160] MINIMUM
4 PLACES

FLAME RETARDANT	553744-5
DRY	553744-4
FILLED	553744-2
DESCRIPTION	PART NO.

THIS DRAWING IS A CONTROLLED DOCUMENT.		DWN	15MAR82	AMP Incorporated Harrisburg, PA 17105-3608
DIMENSIONS:		CHK	15MAR82	
mm [INCHES]		APVD	17MAR82	
TOLERANCES UNLESS OTHERWISE SPECIFIED:		NAME		
0 PLC ±-		J. KILPATRICK		
1 PLC ±-		PRODUCT SPEC		
2 PLC ±-		APPLICATION SPEC		
3 PLC ±-		WEIGHT		
4 PLC ±-		SCALE		
ANGLES ±-		SHEET		
FINISH -		OF		
MATERIAL		REV		
FINISH		E		

553744