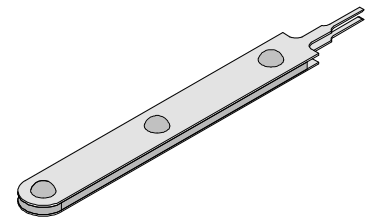




Extractor Tool

## Application Tooling Specification Sheet



Order No. 63824-0800

### FEATURES

- This Extractor Tool is for the removal of Mega-Fit Crimped Terminals Series from their housings

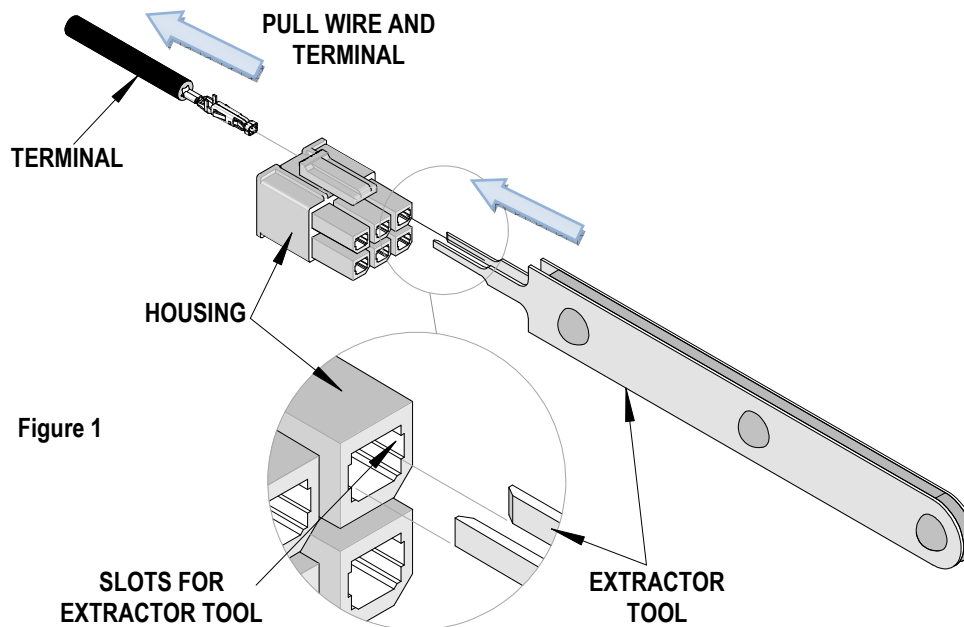
### SCOPE

Products: Mega-Fit Female Crimp Terminals, 12-16 AWG.

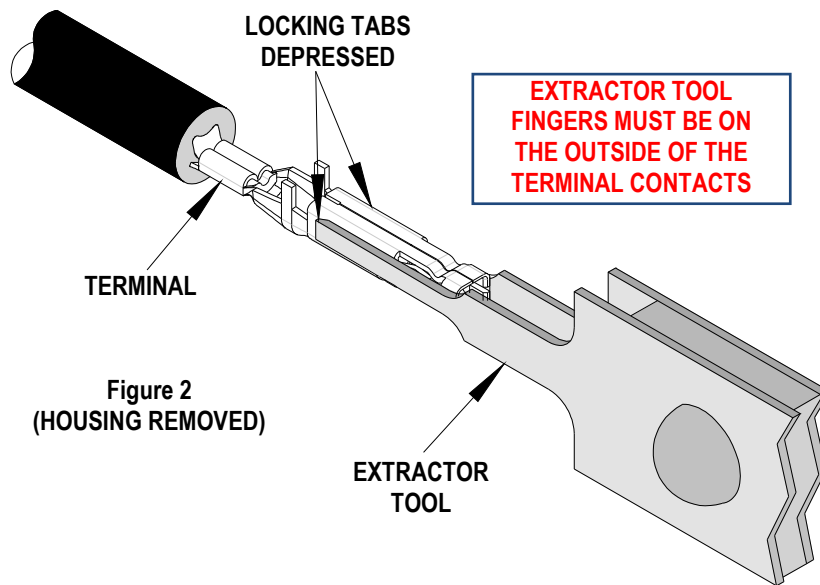
Terminal Series No.	Terminal Order No.	Housing Series No.
76823	76823-0321	76823-0322
172063	172063-0311	172063-0312

### OPERATION:

1. Insert the extractor tool into the housing as shown in Figure 1.



2. Use the slots located on the inside of the housing to guide the extraction tool blades into the housing until contact is made with terminal.
3. Continue to insert the tool always checking to see that the blades of extraction tool are on the outside of the contact as shown in Figure 2.



4. Continue to insert extraction tool into housing until the locking tangs have snapped out of their locked position. If the terminal locking tabs are still not totally depressed, hold on tight to the wire and push it towards the extractor tool, this will completely depress the locking tabs. See Figure 2.
5. Gently pull the terminal by the wire, out from the housing.

**NOTE:**

When a terminal is removed in this manner the locking tangs are damaged and the terminal is not reusable.

**CAUTION:** This extractor tool should be used to extract the terminal only. Using it for unintended purposes may cause injury or damage to parts. Be careful not to deform the end of the terminal.

**CAUTION:** Molex specifications are valid only when used with Molex terminals, applicators and tooling.

**Contact Information**

For more information on Molex application tooling please contact Molex at 1-800-786-6539.

Visit our Web site at <http://www.molex.com>