

Specification Status: Released

Electrical Rating

Voltage: 16V MAX
Current: 100A MAX

Insulating Material:
 Cured, Flame Retardant Epoxy Polymer
 meets UL94 V-0 Requirements

Lead Material:
 20 AWG Tin/Lead Plated Copper
 (0.81mm [0.032] nom. diameter)

Marking:

- Raychem Logo and Voltage
- ⊗ 16 — Part Identification
- G1100 — Part Identification
- — Lot Identification (can be on back)

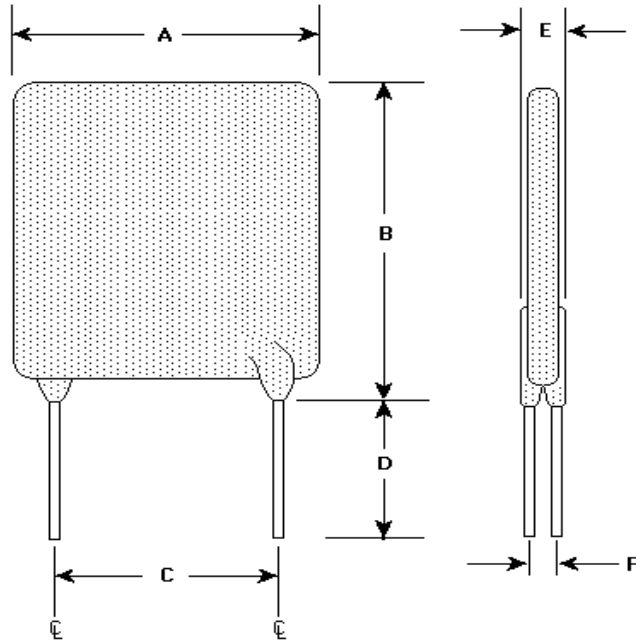


TABLE I. DIMENSIONS:

	A		B		C		D		E		F
	MIN	MAX	MIN	MAX	MIN	MAX	MIN	MAX	MIN	MAX	TYP
mm:	16.5	17.5	21.1	26.0	4.3	5.8	7.6	--	2.0	3.0	1.2
in*:	(0.65)	(0.69)	(0.83)	(1.02)	(0.17)	(0.23)	(0.30)	--	(0.08)	(0.12)	(0.05)

*Rounded off approximation

TABLE II. PERFORMANCE RATINGS:

I HOLD RATED CURRENT	CURRENT RATINGS		INITIAL RESISTANCE VALUES		TIME TO TRIP	R ₁ MAX 1 HR. POST TRIP RESISTANCE STANDARD TRIP	TRIPPED- STATE POWER DISSIPATION
	AMPS AT 25°C HOLD	AMPS AT 25°C HOLD TRIP	OHMS AT 25°C MIN MAX				
11.0	11.0	18.7	0.0037	0.0060	7.0	0.0089	3.7

Agency Recognitions: UL, CSA, TUV.
 Reference Documents: PS300
 Precedence: This specification takes precedence over documents referenced herein.
 Effectivity: Reference documents shall be the issue in effect on the date of invitation for bid.
 CAUTION: Operation beyond the rated voltage or current may result in rupture, electrical arcing or flame.